

telecom

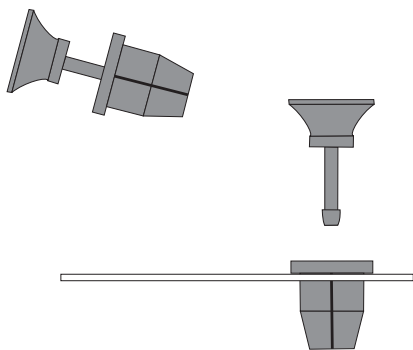
automation

audio/video

safety



Model H000 snap latches
Replace damaged latches on all
OpenHouse modules



Press grommet into hole
first. Then insert plunger.



OpenHouse™ ... It fits.

 **multiplex[®]**
technology, inc. 

©2000 3001 Enterprise St., Brea CA
www.openhousesystem.com