

AC - Low Voltage Digital Dimmer

Features:

- Lower installed cost than primary side dimmers
- Dims most bulbs including dimmable LEDs
- Perfect for indoor and outdoor applications
- Overload indicator (bulbs blink to indicate overload)
- Short-circuit protection with simple recovery
- Transient protection (supply side and load side)
- Extremely smooth trailing edge dimming
- IP67 (dustproof, water resistant, potted electronics)
- Intelligent soft-start

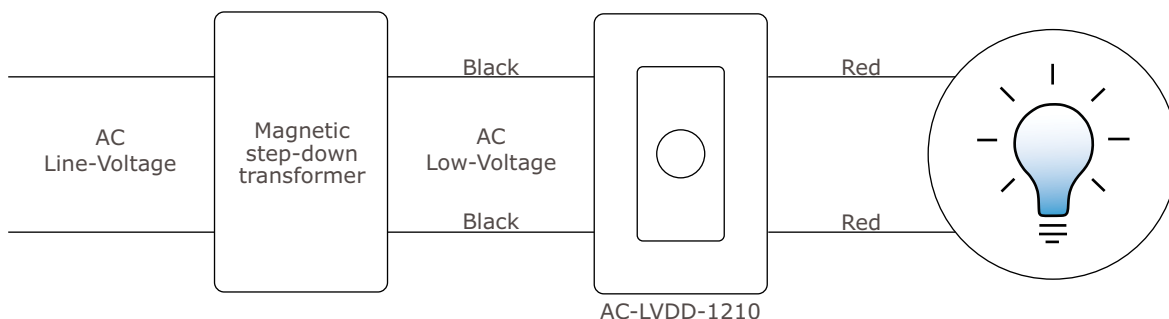


AC-LVDD-1210

Technical Specs:

- Operating voltage: 12VAC
- Current capacity: 10A
- Max load: 120W
- Min load: None
- Frequency: 50Hz - 60Hz

Designed in USA
Engineered in USA
Assembled in USA



Contact us now to place an order!

Email: sales@letzgoproducts.com
Website: www.letzgoproducts.com