

Kwikset



SMARTCODE 910

TOUCHPAD ELECTRONIC DEADBOLT



SmartCode 910 Awards



2009 Electronic House "TOPS" Award



2009 CE Pro "BEST" Award



2009 Custom Retailer "Excite!" Award

The SmartCode 910 is Kwikset's first keypad electronic deadbolt that was first-to-market with its One-Touch Locking feature for added convenience. Its motorized deadbolt makes remote locking and unlocking possible without having to physically interact with the deadbolt, unlike other electronic lock brands. The traditional design complements homes with a classic or transitional décor.

Features

- 5 digit backlit touchpad with one touch locking
- Motorized deadbolt - enables true remote locking and unlocking

User Codes

- Up to 30 customizable user access codes for family & guests
- Mastercode feature for improved user access code management

Connected Benefits

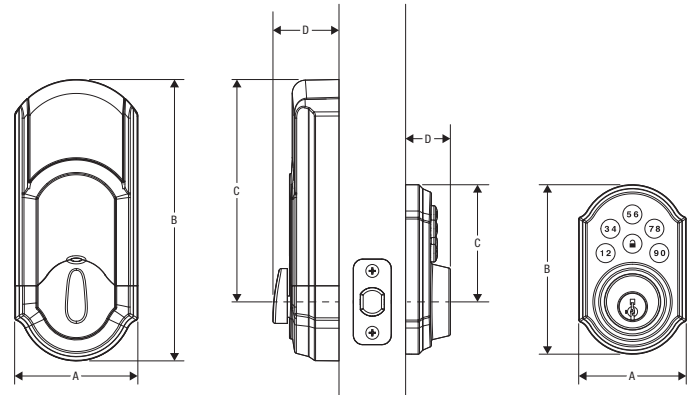
- Lock & Unlock your doors from anywhere
- View lock status and receive notifications of your lock's activity
- Connect to other devices in the home and create scenes driven by the door lock

Consult your system provider to learn more about your connected benefits

THE LEADER IN RESIDENTIAL SECURITY

Specifications

Function	Single Cylinder Deadbolt
Door Prep	2 1/8" diameter face hole & 1" diameter latch hole
Backset	Adjustable 2 3/8" or 2 3/4"
Door Thickness	1 3/8" - 2" automatic adjustment
Cylinder	SmartKey® Re-key Technology
Faceplates	1" x 2 1/4" round corner standard
Strikes	Round corner strike 2 3/4" x 2 1/8"
Latch	Round corner adjustable 2 3/8" x 2 3/4"
Bolt	1" throw, steel deadbolt
Door Handing	Reversible
Wireless Protocol	Z-Wave; lock complies with Z-Wave standard of open air, line of sight transmission of 65 feet.* Compliant with FCC Part 15. *Range may vary depending on radio frequency environment. Work with your home control platform to optimize range.



Design	A	B	C	D
Interior	3 1/4" (82.55 mm)	7 13/32" (188.12 mm)	5 27/32" (148.43 mm)	1 3/4" (44.45 mm)
Exterior	2 27/32" (72.23 mm)	4 1/2" (114.30 mm)	3" (76.20 mm)	1 3/16" (30.16 mm)

Easy Installation

- Replaces existing door hardware with just a screwdriver
- No hard wiring needed
- Operates on 4 AA batteries that will last for approximately 1 year

Innovative Security

- BHMA Grade 2 certified
- 20 Minute fire rating - UL certified
- Full 128-bit encryption security
- Featuring SmartKey Security™
- Revolutionary tapered deadbolt design—enables misaligned doors to lock without pulling and pushing your door shut

Finishes



99100-079
910TRL ZW500 11P RCALFD
Venetian Bronze **11P**



99100-078
910TRL ZW500 15 RCALFD
Satin Nickel **15**



99100-077
910TRL ZW500 L03 RCALFD
Polished Brass **L03**

FINISH AND
LIFETIME WARRANTY
MECHANICAL

ONE YEAR
ELECTRONIC WARRANTY

