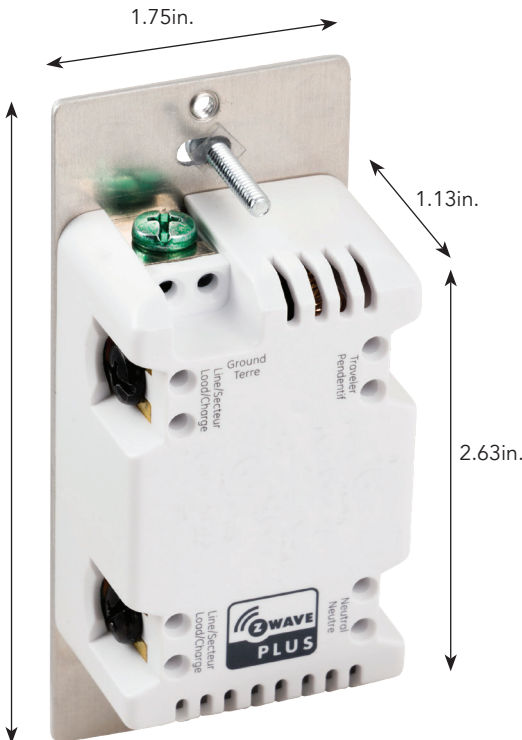
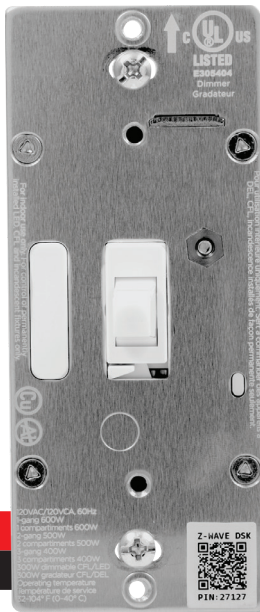


JascoPro Series In-Wall Smart Switch, Toggle



New blue LED backlit toggle



Specifications

Power: 120VAC, 60Hz **Signal Frequency:** 908.4/916MHz

Maximum Load: 960W incandescent, 1/2HP motor or 1800W (15A) resistive

Range: Up to 150 feet from controller or closest Z-Wave device

Operating Temperature: 32-104° F (0-40° C)

Z-Wave Module: 800 series

Warranty: 5-year limited product warranty

Requires neutral wire. Switch must be mounted indoors

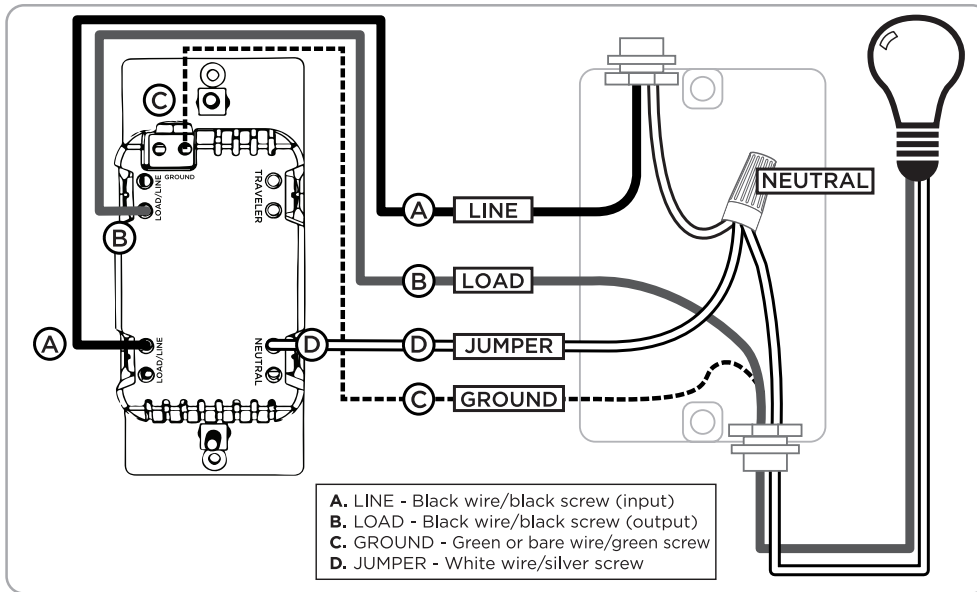
Design Features

- QuickFit – improved components reduce the housing depth by up to 20% compared to previous models and eliminated the need for heat tabs
- SimpleWire – auto-sensing line-load terminals support fast installation by detecting line and load wires and configuring the switch accordingly. Dual ground ports support daisy-chaining in multi-switch setups
- Turn the connected device ON/OFF manually or via Z-Wave hub or controller
- New blue LED backlit toggle – four adjustable settings
- Remotely monitor with any mobile device*
- Voice control works with Amazon Alexa or Google Home when used with a compatible hub*
- May be used in single-pole installation or with up to four JascoPro Series add-on switches in 3, 4, 5 or 6-way wiring configurations
- Works with all LED, CFL, incandescent and halogen bulbs
- Can be included in multiple groups and scenes
- Uses the Z-Wave firmware update meta data command class for standardized firmware updates over the air
- Supports advanced configuration; alternate exclusion, LED status
- Screw terminal installation; requires wiring connections for line (hot), load, neutral, and ground. Traveler wire required for multi-pole installation
- Uses a standard toggle wallplate – not included
- LED status can be inverted manually, always OFF and always ON
- In-line traveler circuit protection
- Z-Wave Plus certified

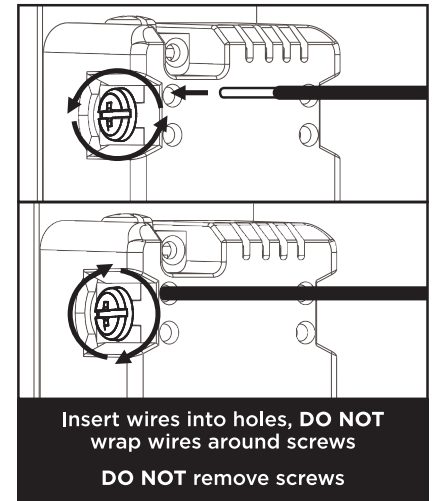
Z-Wave Plus with S2 Security and SmartStart Features

- QR codes with unique, industry-standard secure key exchange to add a layer of 128-bit encryption
- Effortless device pairing to Z-Wave S2 and SmartStart certified gateways
- Backward compatible with all generations of Z-Wave devices
- 250% faster processor
- 400% more memory
- 50% more energy efficient
- Supports wireless upgrades to future-proof your home
- Improved battery life and up to 50% greater wireless range

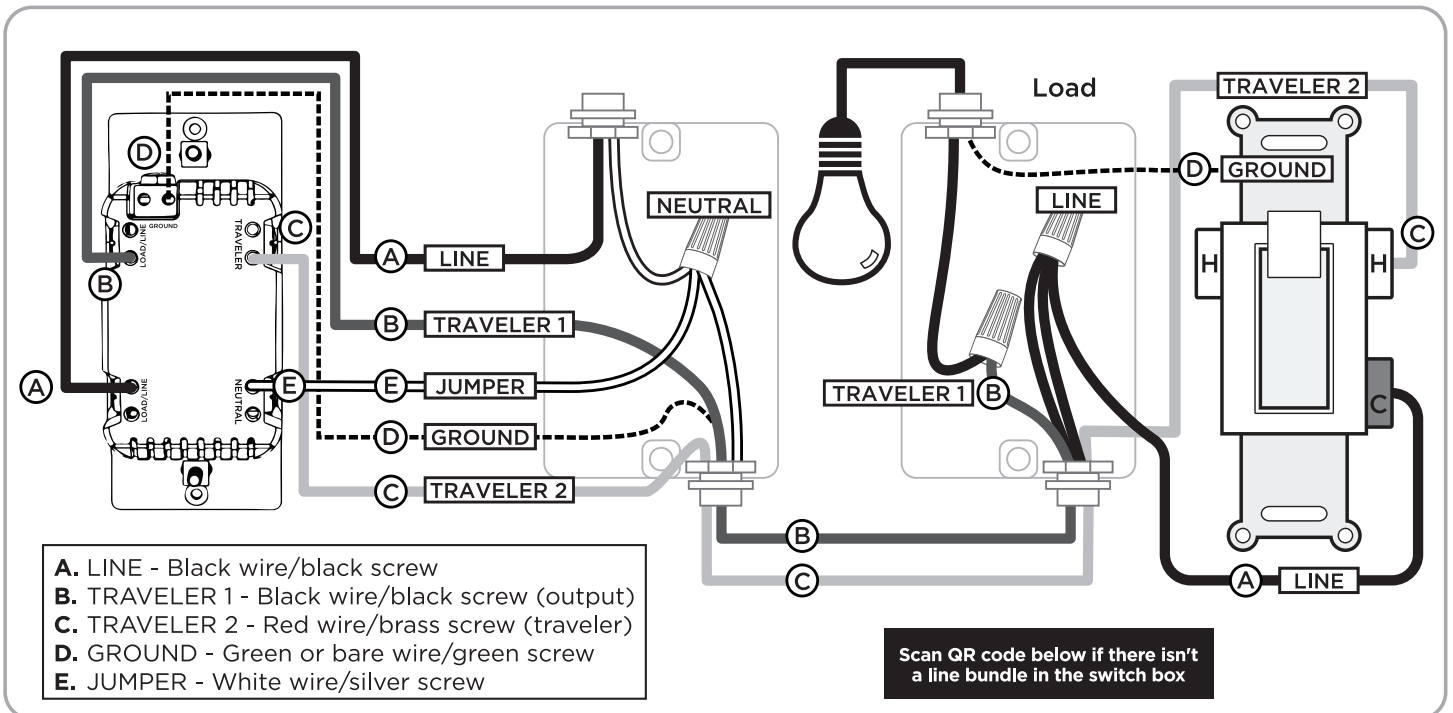
Single-Location Wiring



Space-Saving Screw
Terminals



Multi-Location Wiring



Installation Recommendations:

- Insert wire into port and tighten screw – do not wrap wire around screw
- Indoor use only
- Wallplates sold separately
- Trilingual Instruction manual – English, French, Spanish



Device Configuration

Adding your device to a Z-Wave network

1. Follow the instructions for your Z-Wave certified controller to add a device to the Z-Wave network.
2. Once the controller is ready to add your device, push the toggle up or down.

You have complete control to turn your fixture ON/OFF according to groups, scenes, schedules and interactive automations programmed by your controller.

If your Z-Wave certified controller features remote access, you can control your lamp from your mobile devices.

If prompted by the controller to enter the S2 security code, refer to the QR code/security number on the side of the box or the QR code label on the product (see Figure 1). Enter the 5-digit code.



Figure 1

To remove and reset the device

1. Follow the instructions for your Z-Wave certified controller to remove a device to the Z-Wave network.
2. Once the controller is ready to remove your device, push the toggle up or down.

To return to factory defaults

1. Slide the air gap switch right.
2. While pressing the OFF (bottom) button, push the air gap left and continue pressing the OFF button. The LED flashes through the eight colors once.

NOTE: This should only be used if your network's primary controller is missing or otherwise inoperable.

NOTE: SmartStart enabled products can be added into a Z-Wave network by scanning the QR code on the product with a controller providing SmartStart inclusion. No further action is required and the SmartStart product will be added automatically within 10 minutes of being switched on in the network vicinity.

Certifications & Compliances



Compliances, specifications and availability are subject to change without notice.

Distributed by Jasco Products Company LLC
10 E. Memorial Rd., Oklahoma City, OK 73114.

Questions? Contact our U.S.-based dedicated support at
1-833-981-0170, M-F, 7AM-8PM Central Time.

©Jasco 2023

Related Products - JascoPro Series Z-Wave In-Wall Smart Controls



59384
In-Wall Smart
Dimmer



59380
Add-on
Switch



59387
In-Wall Smart
Outlet



79244
Plug-in Smart
Switch



Scan to see full line
of products or visit
jascopro.com