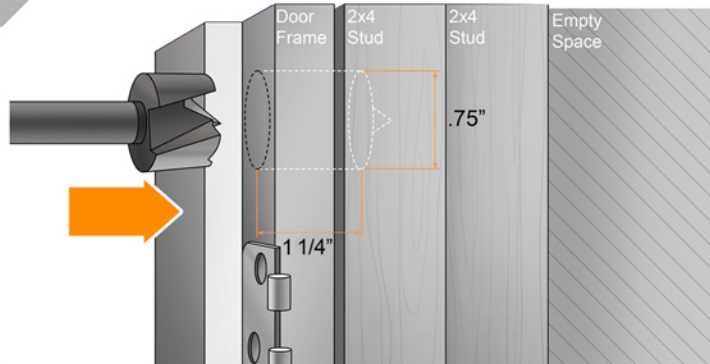


ION Security Products™ PLUNGER™

Wireless Door Security Sensors
Fully Concealed
Residential & Commercial Applications

Step
1

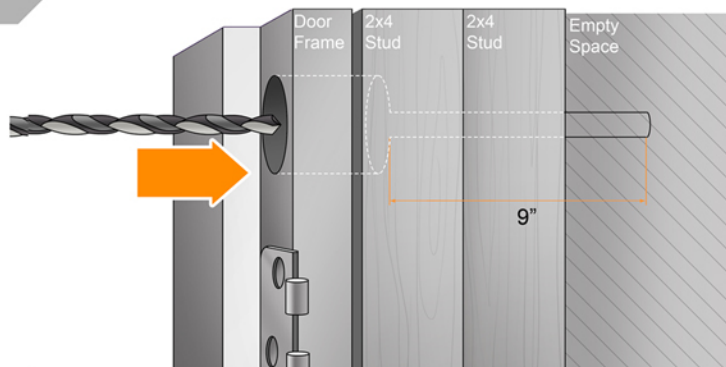
Measure and Drill for Plunger



Use a 3/4" Forstner bit to drill into the door jamb to a 1 1/4" depth.

Step
2

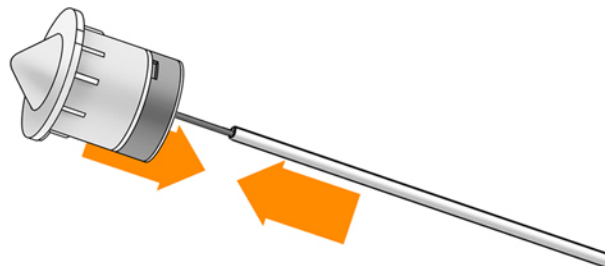
Drill for Antenna



A 1/4" hole must now be drilled in the center of the cavity through the door jamb. This is so the antenna can be inserted through the door jamb frame and the supporting studs.

Step
3

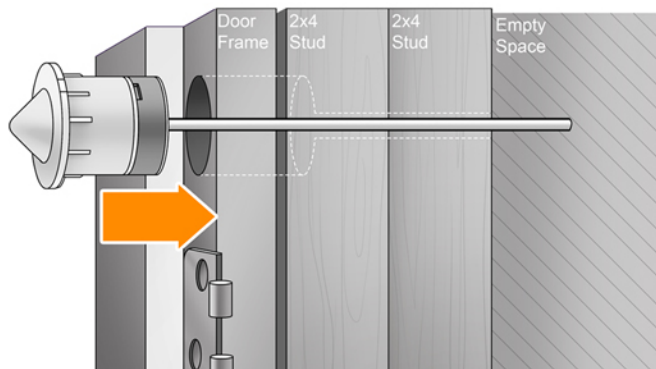
Slide on Straw



Slide the Plunger antenna into supplied antenna guide (straw).

Step
4

Place and Set



Insert Plunger and Antenna into the door jamb.

**It is important to always keep the antenna straight. Never cut or coil up antenna. You may fold the antenna in half if space is a concern. This may affect range.*

ION Security Products™ PLUNGER™

Wireless Door Security Sensors
Fully Concealed
Residential & Commercial Applications

Project Name

Spec. Type

Notes

Product Overview

Aesthetic – Fully concealed wireless door sensor

Simple to specify – Compatible with current DSC and GE Wireless Receivers

Easy to install – Only a drill, a 3/4 inch Forstner bit, and a 1/4 inch wood bit (for antenna insertion) are required

Composition – Micro-processor, Micro-transmitter, Lithium Battery, Optimized Antenna for superior zone signal

Long-life Battery– 5+ years (average rating)

Sensor Specifications

Dimensions

Dowel Package

1 inch deep by 3/4 inch wide (3/4 inch (0.750) diameter)

Power Source

3.0V Lithium Coin Cell Battery (CR1620)

Cavity Depth Fit

1 inch depth

Transmit Range

Typically >500 ft, open air

System Compatibilities

Sensors are compatible with current DSC and GE wireless receivers.
Please be sure to specify which system you require.

Visual Characteristics

Each sensor is color-coded to identify their respective compatibility:

DSC - Black 7 inch x 1/8" Flexible Antenna extends from sensor

GE - Blue 7 inch x 1/8" Flexible Antenna extends from sensor

Environmental Conditions

Ambient temperature 10° - 120°F (-12 - 49°C).

Replacement

Sensor and/or Battery are field-replaceable.

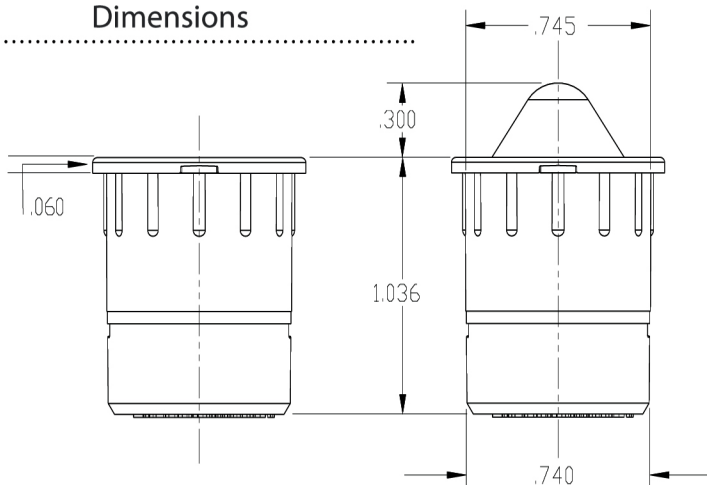
Patents

US Patents #6,737,969 and #7,081,816

Multiple Domestic and International Patents Pending.

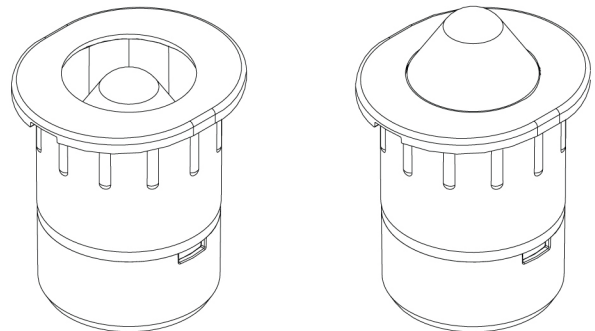
Due to continuing product improvements, ION DIGITAL reserves the right to change specifications without notice.

Dimensions



How it works

A captive magnet within the plunger activates a reed switch when the plunger is depressed.



NOTE: The sensor typically protrudes .060" beyond the door jamb. Protrusion may vary slightly.