

Step 1

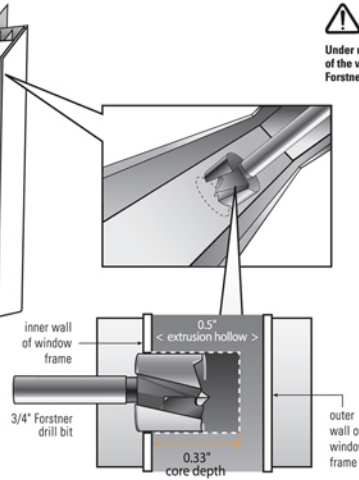
Measure and Drill

Using a 3/4" Forstner drill bit, drill into the vinyl window mainframe.

NOTE: Side mount transmitter on Vinyl Sliders

Horizontal Sliding Sash

Measure 3" down from the inside top corner of the mainframe and mark the center point for the hole to be drilled where the MICRA transmitter will be inserted. Place a corresponding mark also on the sash where the magnet will be placed.



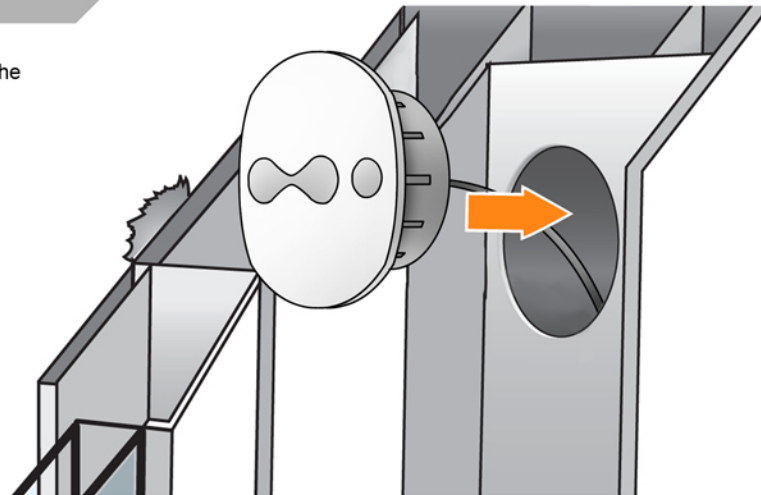
WARNING:

Under no circumstances should the outer wall of the window frame be penetrated by the Forstner bit.

Step 2

Place and Set

Insert the MICRA's antenna into the extrusion hollow then press the transmitter body into the cored opening.

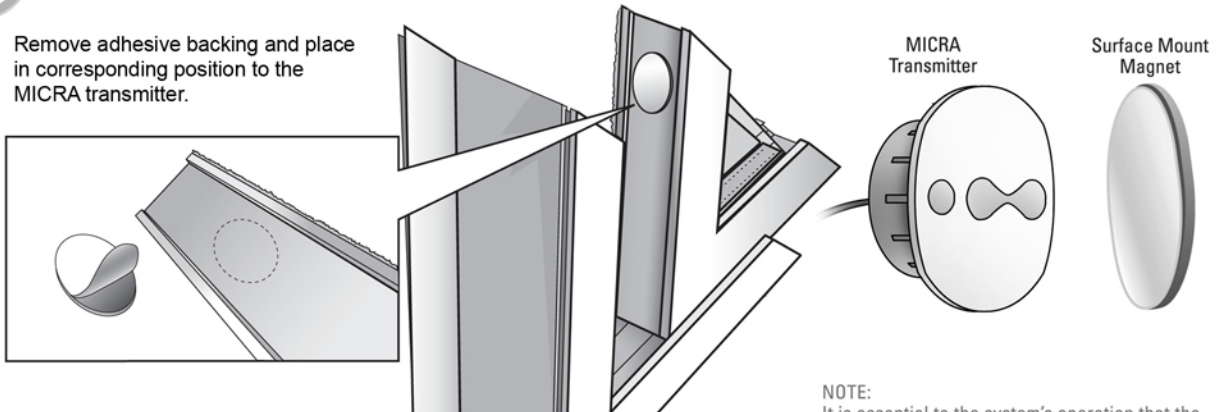


"It is important to always keep the antenna straight. Never cut or coil up antenna. You may fold the antenna in half if space is a concern. This may affect range."

Step 3

Sash Magnet Placement

Remove adhesive backing and place in corresponding position to the MICRA transmitter.



NOTE:
It is essential to the system's operation that the positioning of the MICRA transmitter point in the same direction as its corresponding magnet.

ION Security Products™

MICRA™

Project Name	<input type="text"/>
Spec. Type	<input type="text"/>
Notes	<input type="text"/>

Wireless Window Security Sensors
 Fully Concealed
 Residential & Commercial Applications

Product Overview

- Aesthetic – Fully concealed wireless sensor for wood, vinyl, or aluminum clad windows
- Simple to specify – Compatible with current DSC and GE Wireless Receivers
- Easy to install – Required tools: a drill, a 3/4 inch Forstner bit
- Composition – Micro-processor, Micro-transmitter, Lithium Battery, Optimized Antenna for superior zone signal
- Long-life Battery – 5+ years (average rating)

Sensor Specifications

Dimensions
 Dowel Package
 0.33 inch deep by 0.75 inch diameter

Power Source
 3.0V Lithium Coin Cell Battery (CR1620)

Cavity Depth Fit
 0.33 inch depth

Transmit Range
 Typically >500 ft, open air

System Compatibilities
 Sensors are compatible with current DSC and GE wireless receivers. Please specify which system you require.

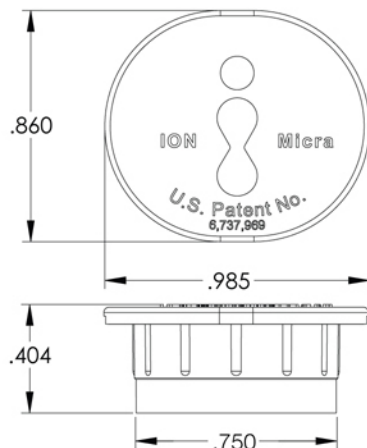
Visual Characteristics
 Each sensor is color-coded to identify their respective compatibility:
 DSC - Black 7 inch x 1/8" Flexible Antenna extends from sensor
 GE - Blue 7 inch x 1/8" Flexible Antenna extends from sensor

Environmental Conditions
 Ambient temperature 10° - 120°F (-12 - 49°C).

Replacement
 Sensor and/or Battery are field-replaceable.

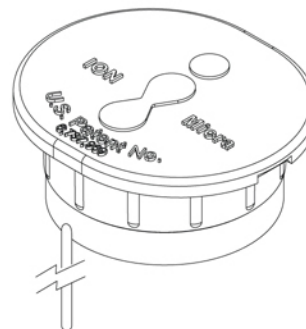
Patents
 US Patents #6,737,969 and #7,081,816
 Multiple Domestic and International Patents Pending.
Due to continuing product improvements, ION DIGITAL reserves the right to change specifications without notice.

Dimensions

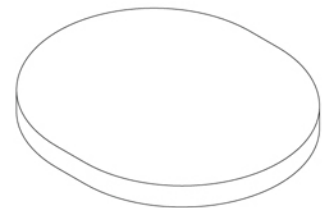


NOTE: The sensor dowel lid has a 0.850" diameter x 0.030" thick.

How it works



The window sash sensor triggers an alarm whenever the contact between it and its corresponding surface mount magnet is severed.



Surface Mount Magnet