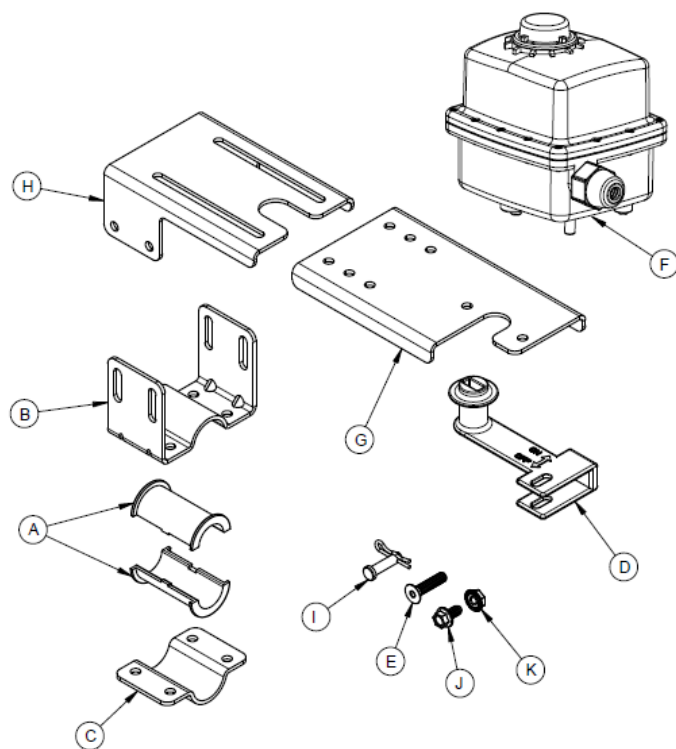


Clamp-On Actuator Quick Start Guide

GF1196 V1.0

1. Materials List

Part	Part Name	Quantity
A	3/4" Adapter Sleeve	1
B	Upper Mounting Bracket	1
C	Lower Mounting Bracket	1
D	Actuator Handle	1
E	Manual Handle Set Screw	1
F	Electric Actuator	1
G	Horizontal Adjustment Bracket	1
H	Vertical Adjustment Bracket	1
I	Cotter Pin and Key	1
J	3/8" Bolts	12
K	7/16" Nuts	15



2. Tools Needed

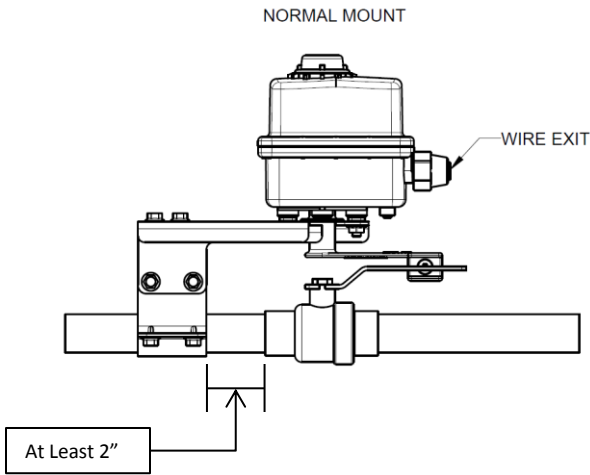
- 7/16" Crescent Wrench
- 3/8" Crescent Wrench
- 5/32" Allen Wrench

3. Pre-Installation Checklist

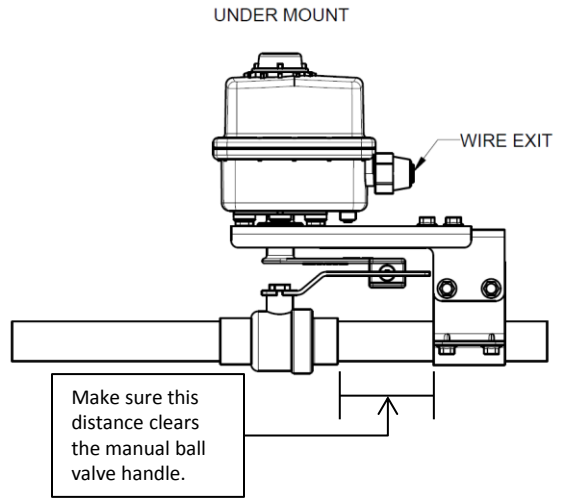
- Determine the direction of open/close for the installed manual ball valve.
- Determine which side of the installed manual ball valve has a minimum of 6 inches of space along the pipe from the solder connection between the valve and the pipe.

This product is only intended for installation on copper piping. Do NOT install on pipe material other than copper.

If the 6 inches of space is on the **non-handle** side of the Manual Ball Valve, your completed installation should look like this.



If the 6 inches of open space is on the **handle** side of the Manual Ball Valve, your completed installation should look like this.



Make sure the pipe and valve are at least two inches from any obstruction such as a wall. Ensure there is a power source within 6 ft. of the Clamp-On Actuator.

4. Assembly

- 1

The 3/4" Adapter will only be used if installing on a 3/4" pipe.
- 2
- 3
- 4
- 5 **Check Alignment of Actuator to Valve**