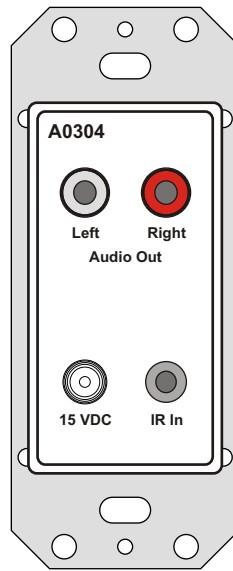
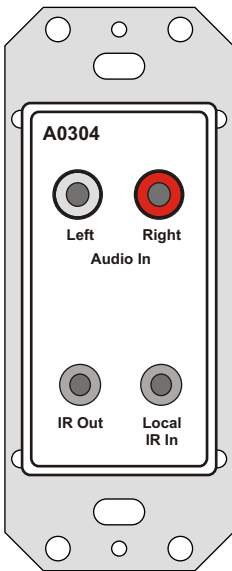


INSTRUCTIONS



A0304

Audio & IR Control CAT5 Transceiver

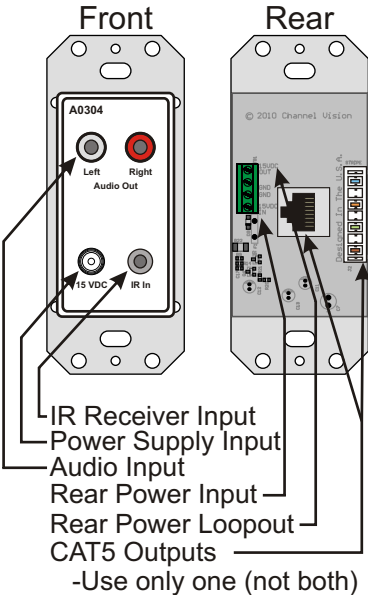
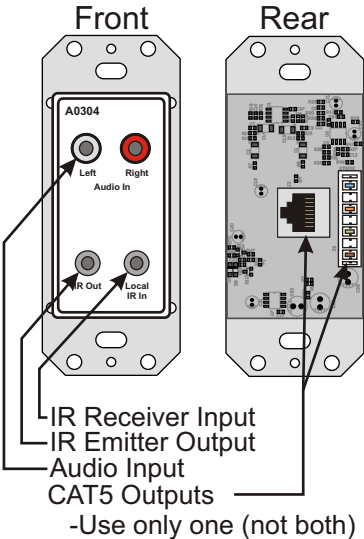
The **A0304** Audio & IR Control CAT5 Transceiver Kit can deliver balanced audio and IR signals over 1,000 ft of CAT5 cable. It's the perfect way to send noise-free audio over cabling that already exists in the home. The decorator style wall plates flush mount into the wall and blend into modern decor. The low cost, simplicity, and availability of CAT5 cable, makes the A0304 a convenient choice for both new construction and retrofit applications.

Features:

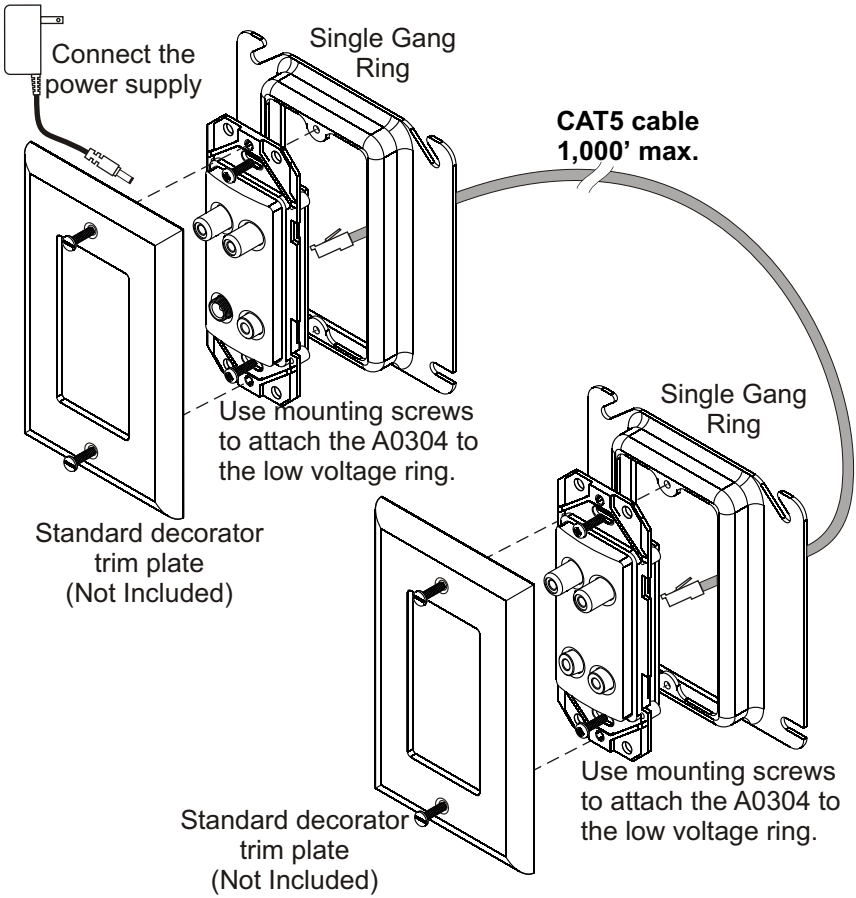
- Easy to install and use
- Transport audio from a bedroom back to your main entertainment system
- Control the audio device in the bedroom from your entertainment room
- Sends line-level audio over 1000 ft. of category cable
- Compatible with Category 5, 5e, and 6 wiring

A0304 Input Wall Plate

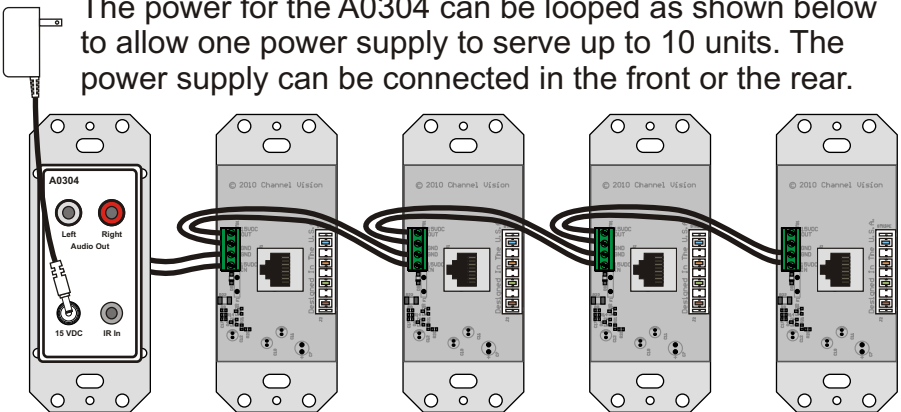
A0304 Output Wall Plate



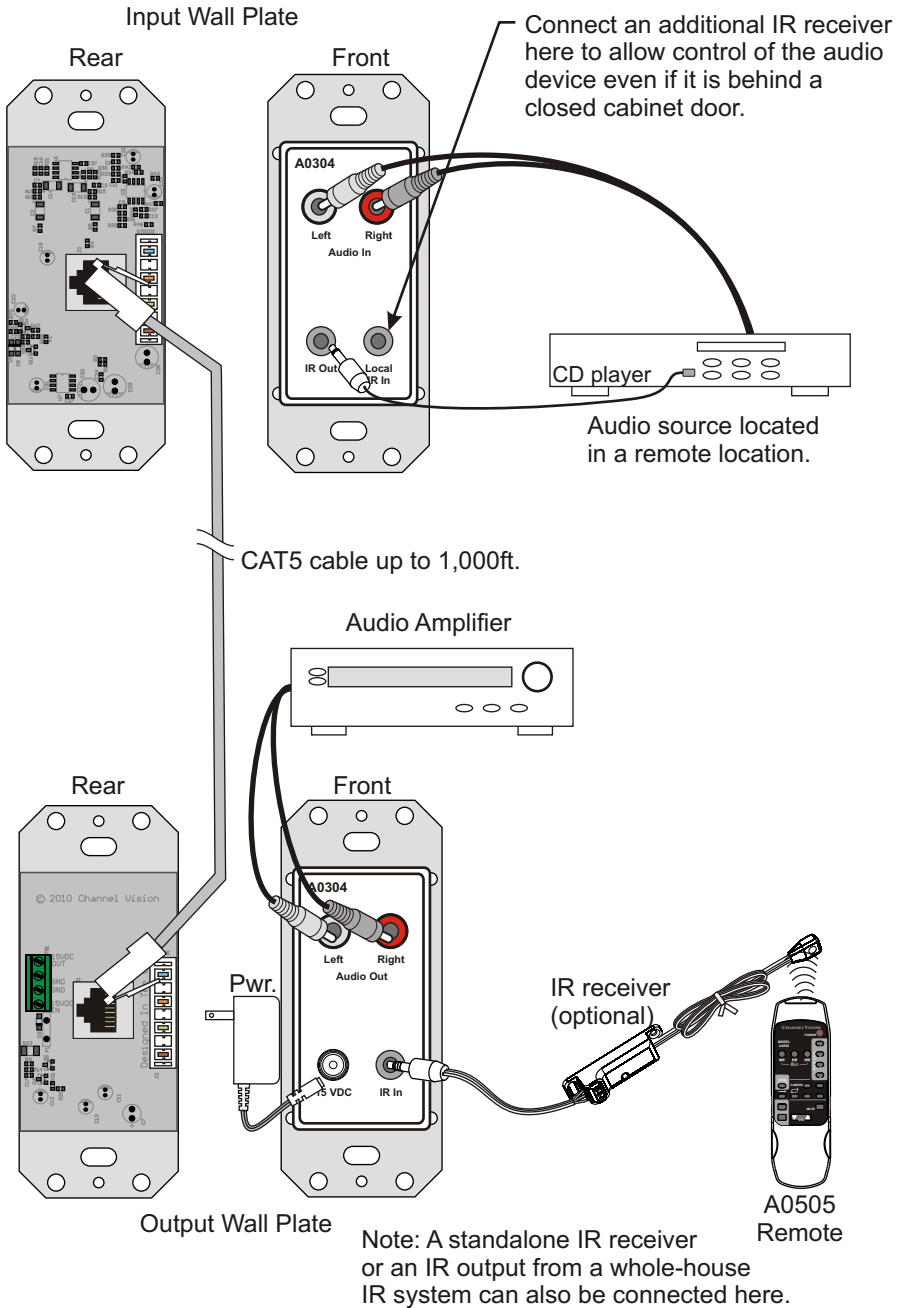
Installation



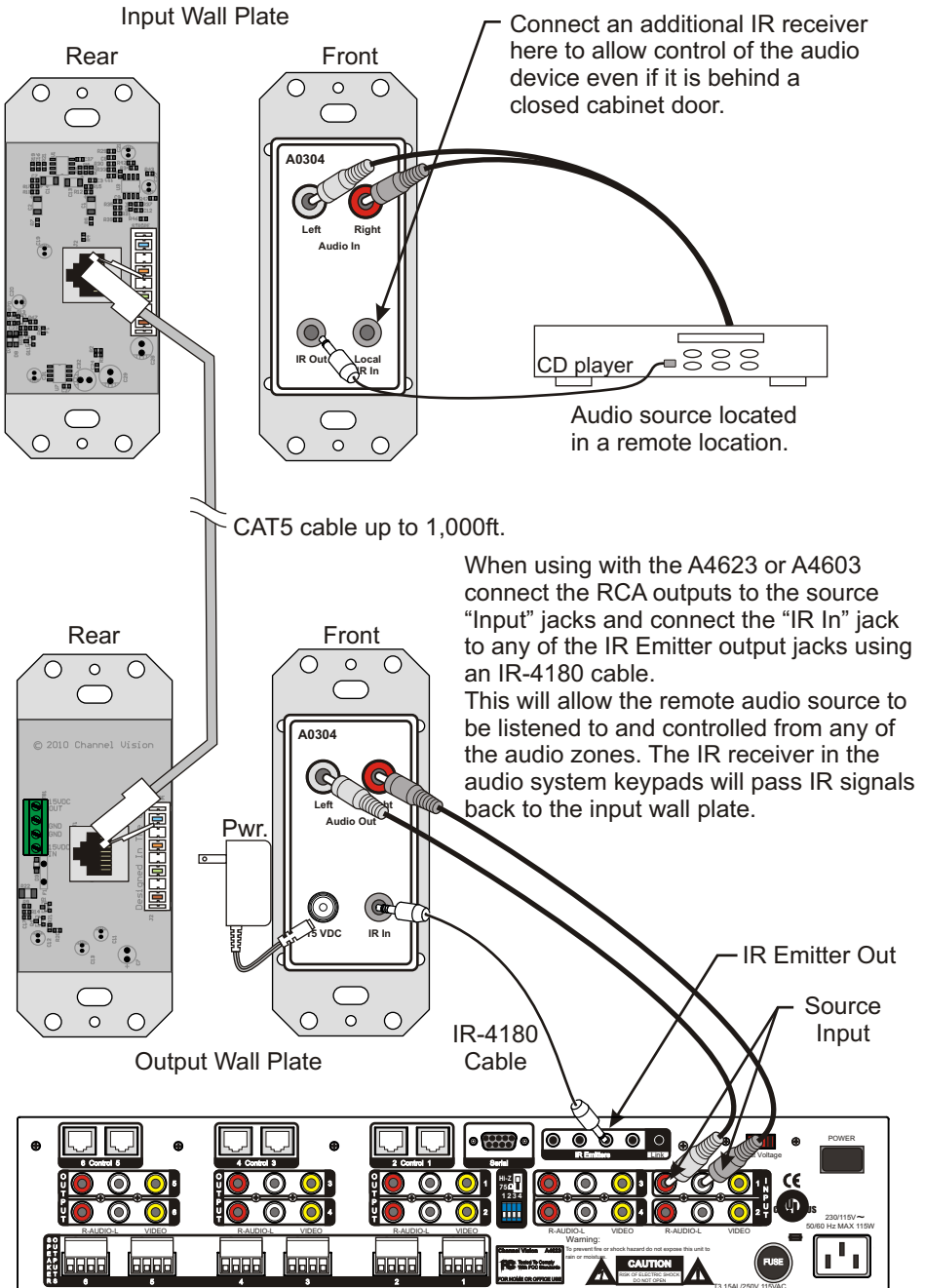
The power for the A0304 can be looped as shown below to allow one power supply to serve up to 10 units. The power supply can be connected in the front or the rear.



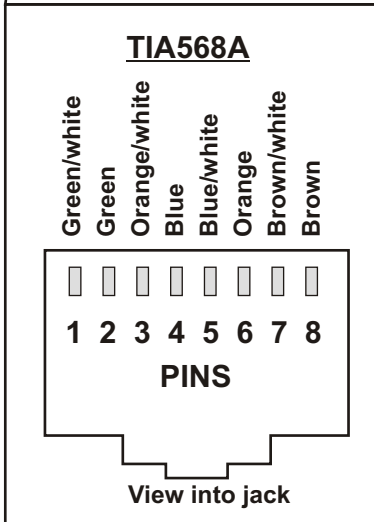
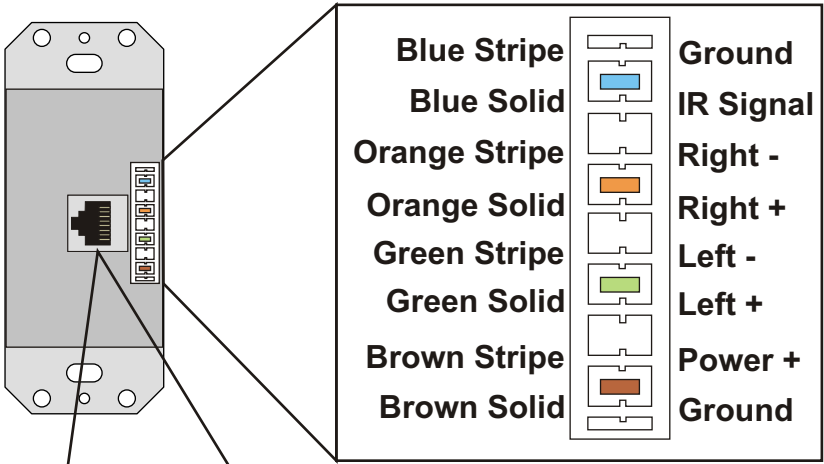
Basic Application



Advanced Application



Pin-out Configuration For A0304



<u>Pins</u>	<u>Signal</u>
1	Left -
2	Left +
3	Right -
4	IR Signal
5	Ground
6	Right +
7	Ground
8	Power +

Troubleshooting

- 1) Be sure you have connected the CAT5 cable correctly. Follow the TIA-568A standard at both ends. Incorrect wiring can cause distorted sound or prevent the system from working at all!
- 2) Be sure you have connected the speakers in phase. Follow the label on the product. Out of phase speakers can deprive the system of its bass. Especially when driving dual-voice-coil speakers.
- 3) Trouble with IR control?
 - a. Make sure your IR remote control can control the source device directly (not using the IR repeating system).
 - b. Verify that the IR emitter is providing a signal to your source device. Many IR emitters do not provide visible light. You can see these invisible IR signals if you look at the IR emitter through the view finder of a digital camera (it helps to turn the lights off).
 - c. Troubleshooting an external IR system: Some IR receivers have a feedback LED that flashes whenever IR signals are received. If the IR receiver you are using has this feature, check to make sure the LED flashes whenever you press buttons on your remote control.
 - i. If you don't see the feedback LED, try replacing the batteries in your remote control.
- 4) Observe wiring distance specifications. The maximum recommended wire length between the wall dock and output wall plate is 1,000 feet. Although the A0304 may work at longer distances, such extreme distances are not recommended because erratic performance may result due to the power loss caused by the CAT5 wire.
- 5) If you need additional help troubleshooting the A0304, please contact Channel Vision technical support or check our website for more details: www.channelvision.com.

Specifications:

THD + Noise:	<0.2%, 20Hz-20kHz
Signal/Noise:	>-96dB
Frequency Response:	20Hz-20kHz +/- 0.3dB
Input Impedance:	20k Ohms
Output Impedance:	600 Ohms
Power Requirements:	15VDC @ 0.075A (75mA)
Power Supply:	15VDC @ 850mA
Wire type:	4-pair, UTP Category 5, 5e or 6
Maximum Cable Run:	1,000 ft. over CAT5

Specifications subject to change without notice.



1 Year Limited Warranty

Channel Vision Technology will repair or replace any defect in material or workmanship which occurs during normal use of this product with new or rebuilt parts, free of charge in the USA, for one year from the date of original purchase. This is a no hassle warranty with no mail in warranty card needed. This warranty does not cover damages in shipment, failures caused by other products not supplied by Channel Vision Technology, or failures due to accident, misuse, abuse, or alteration of the equipment. This warranty is extended only to the original purchaser, and a purchase receipt, invoice, or other proof of original purchase date will be required before warranty repairs are provided.

Mail in service can be obtained during the warranty period by calling (800) 840-0288 toll free. A Return Authorization number must be obtained in advance and can be marked on the outside of the shipping carton.

This warranty gives you specific legal rights and you may have other rights (which vary from state to state). If a problem with this product develops during or after the warranty period, please contact Channel Vision Technology, your dealer or any factory-authorized service center.

Channel Vision products are not intended for use in medical, lifesaving, life sustaining or critical environment applications. Channel Vision customers using or selling Channel Vision products for use in such applications do so at their own risk and agree to fully indemnify Channel Vision for any damages resulting from such improper use or sale.



234 Fischer Avenue, Costa Mesa, California 92626 USA
(714)424-6500 • (800)840-0288 • (714)424-6510 fax
email: techsupport@channelvision.com