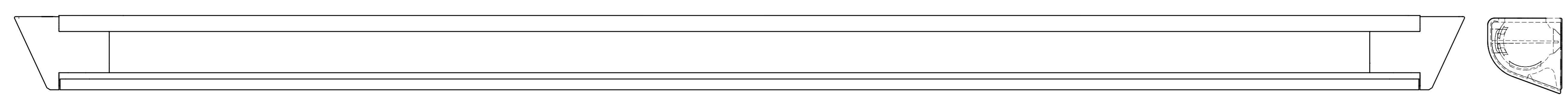
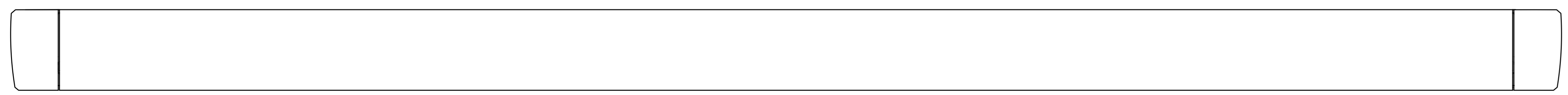
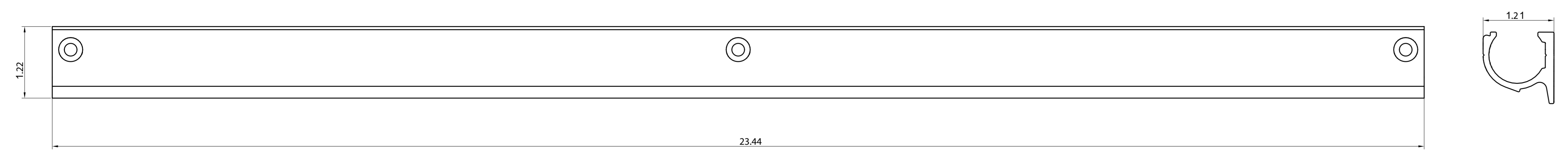
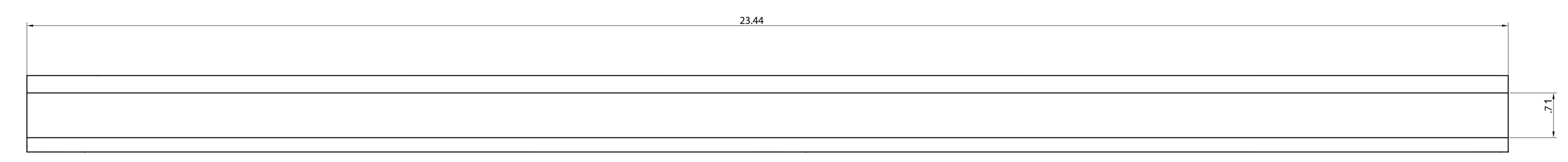
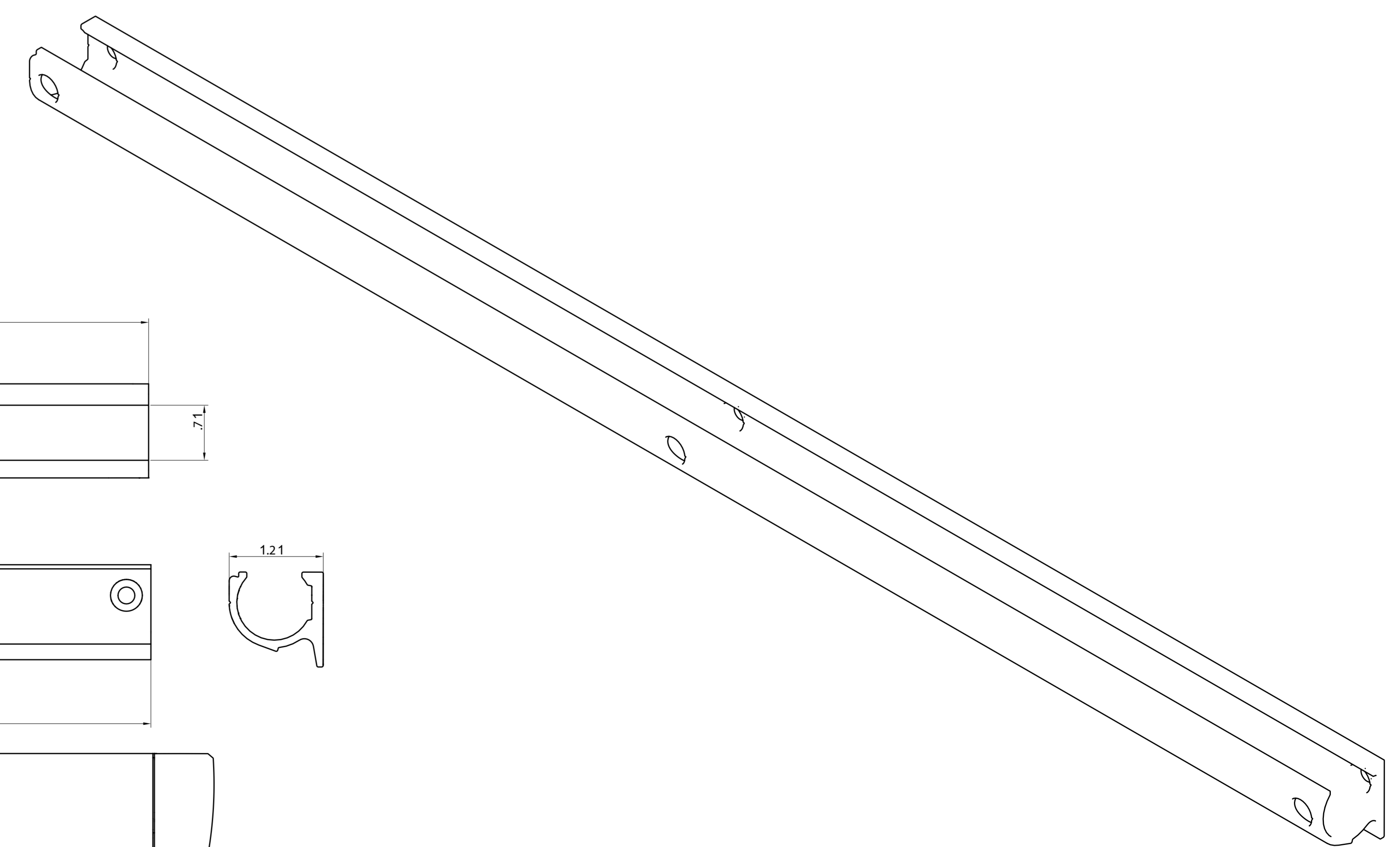
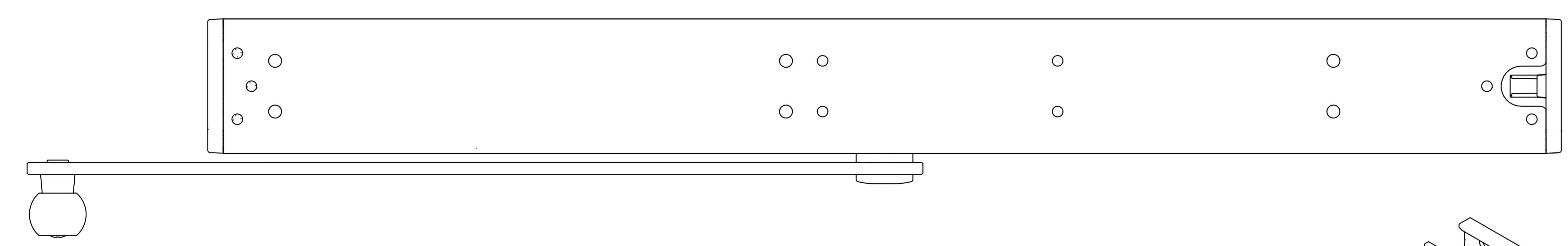
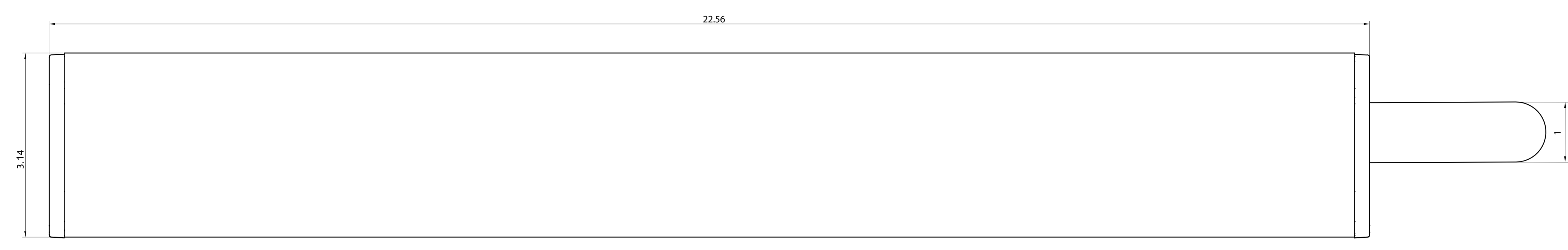
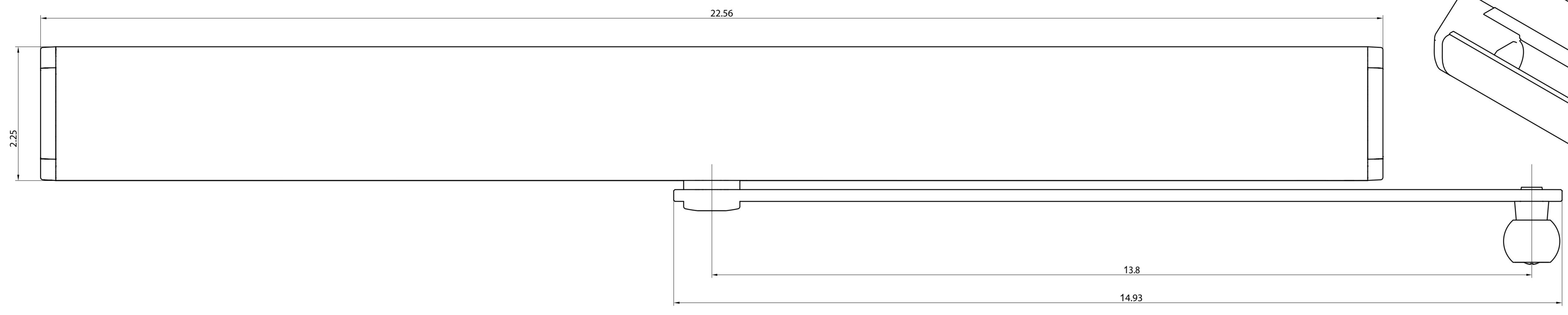
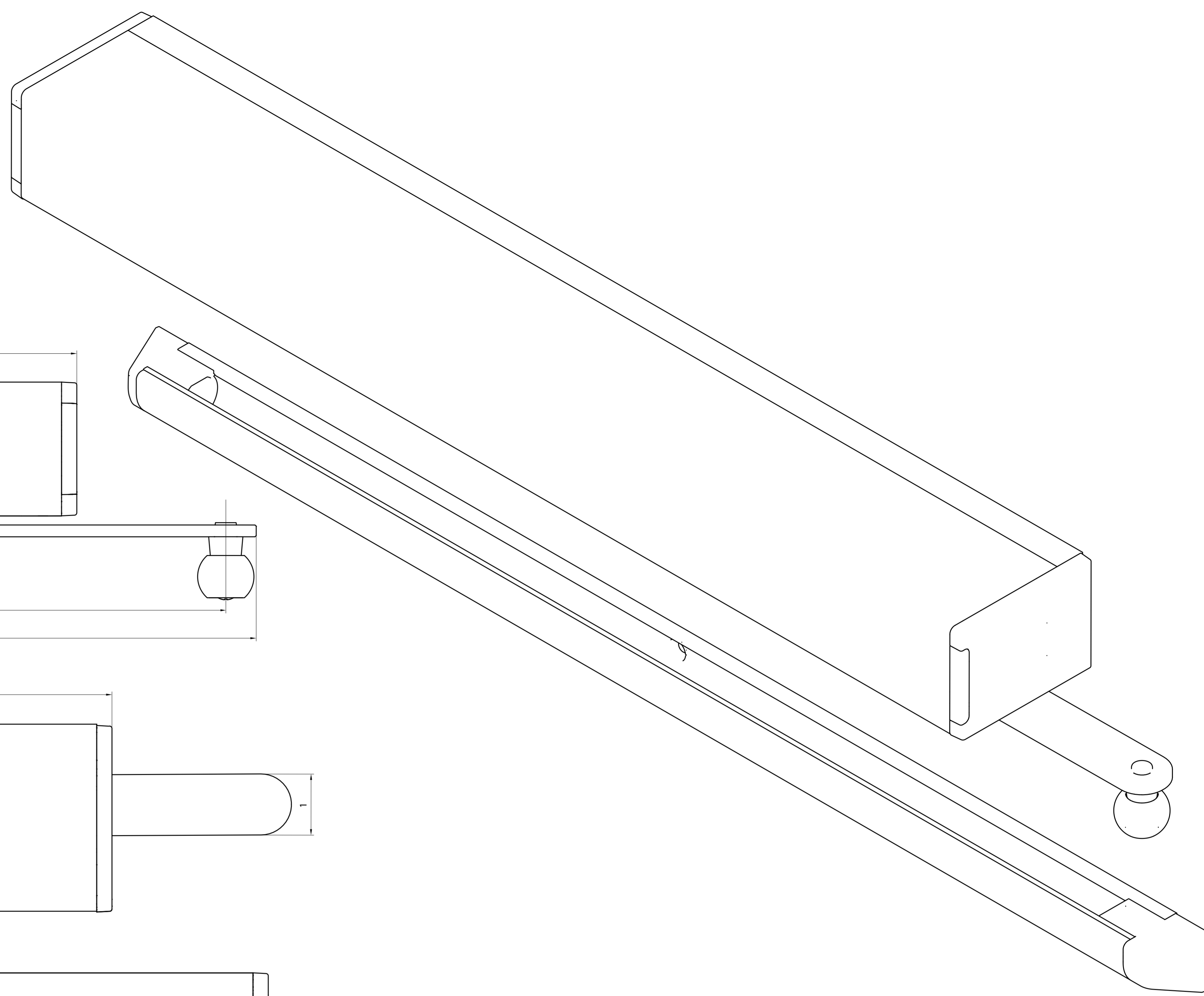
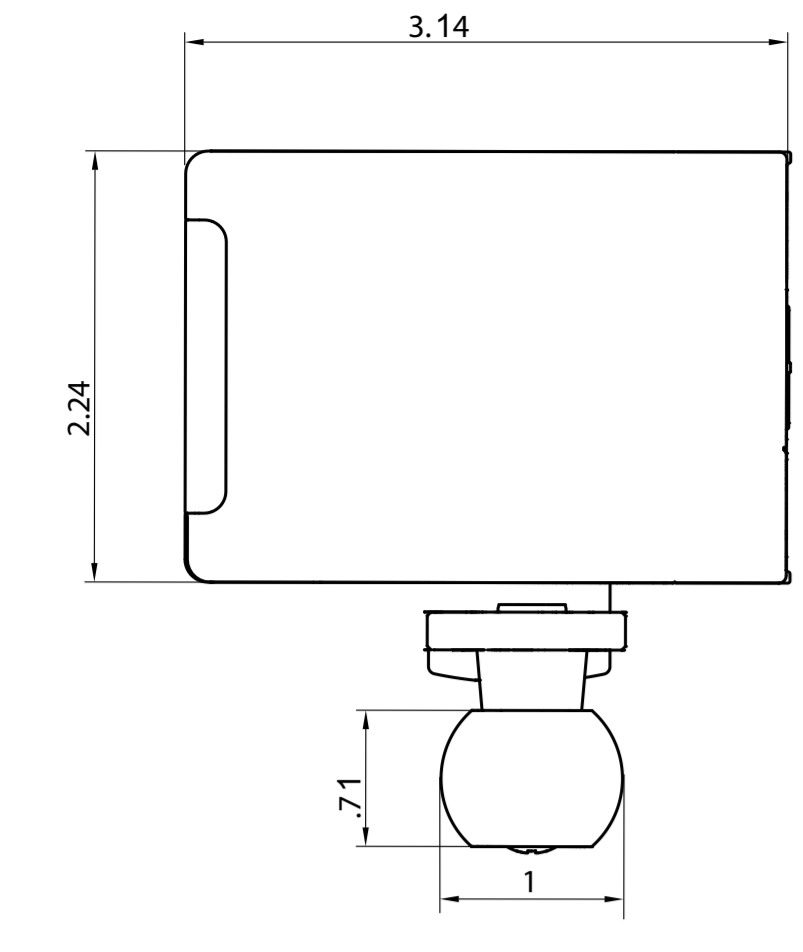


22 21 20 19 18 17 16 15 14 13 12 11 10 9 8 7 6 5 4 3 2 1

R Q P N M L K J H G F E D C B A



TITLE AutoSwing		
LAST UPDATED 06/18/21	UNITS in	SHEET 1 / 1
THIRD ANGLE PROJECTION 	SCALE 1:1	SIZE E

22 21 20 19 18 17 16 15 14 13 12 11 10 9 8 7 6 5 4 3 2 1

A

A