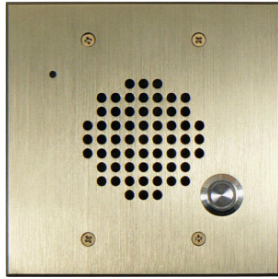


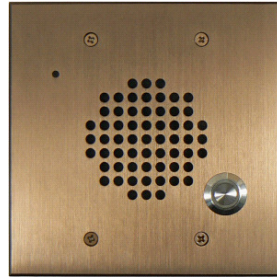
DESCRIPTION



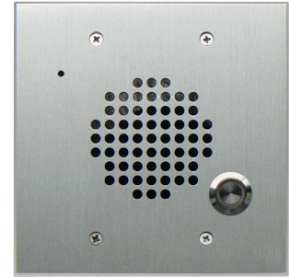
DP28-NBF
Brass 2-Gang size



DP28-NBKF
Black 2-Gang size



DP28-NBZF
Bronze 2-Gang size



DP28-NSF
Aluminum 2-Gang size

Back by popular demand with additional colors, the **DP28F-Series** Door Station models include **DP28-NBF**, **DP28-NBKF**, **DP28-NBZF**, and **DP28-NSF**. These units provide standard door-to-phone communication when used with the **DP28-C***. All F-Series Door Stations mount into any standard double-gang masonry box as a flush mount. An optional back box (DP38-BXFS) is available as a surface mount. This weather-proof back box provides quality protection and durability for your unit. Colors are available in 4 anodized finishes: brass, black, bronze, and aluminum. These Door Stations are also available in kits with the DP28-C as the **DP28-BF**, **DP28-BKF**, **DP28-BZF**, and **DP28-SF**.

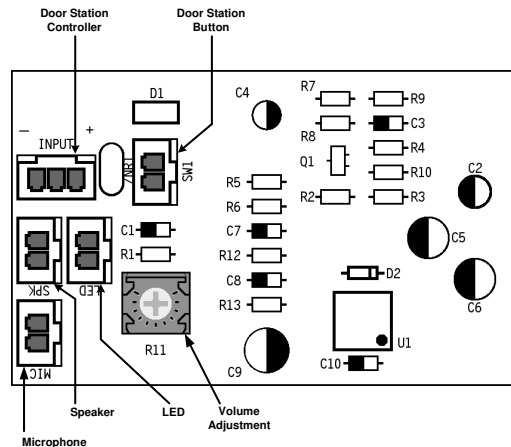
*DP28-C not included

FEATURES

- Manufactured in aluminum with anodized Brass, Black, Bronze, and Aluminum finishes
- Mounts into any standard double-gang masonry box as a flush mount
- Optional surface mount back box (DP38-BXFS) mounts easily on almost any surfaces including fences and gates
- All back boxes are manufactured in steel with black powder-coating finish and provides superior protection from the elements
- No external power required: power drawn from connected Door Station Controller (DP28-C)
- LED button lights up when the Door Station is active

APPLICATIONS

- Communicate with people at a door, gate, or any other entrance way where Door Station is present
- Can be placed at:
 - Front/Rear Entrances
 - Remote Entryways
 - Marine Docks
 - Delivery Docks
 - Secured Facilities
 - Senior Housing
 - Disabled Housing
 - Apartment Complex
- Use in conjunction with the DP29-CI to activate external trigger devices (e.g. door chimes, cameras, lights...) with the Door Station
- Use in conjunction with the DP29-SW to open electronically locked doors or gates with the phone
- Use as extra Door Station to any Door Station Kit



SPECIFICATIONS

Power:

- **Circuit Board:** no external power required

Dimensions:

- Door Station: 4.5" x 4.5" x 1.625"

Shipping Weight:

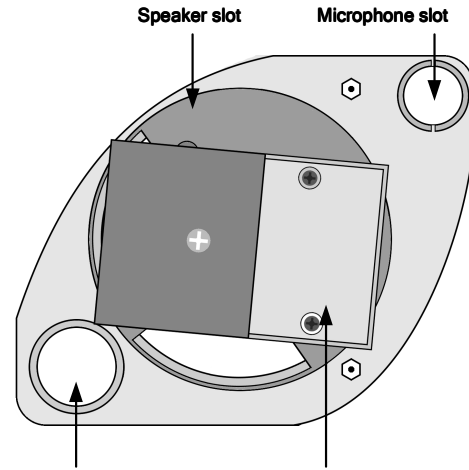
- 2.0 lbs

Speaker:

- Frequency Response: 400~2.8kHz
- Impedance: 8Ω
- Peak Power: 0.25W
- Diameter: 2.25 inches

Microphone:

- Frequency Response: 200~6.8kHz



Door Station button slot:
LED button lights up when the Door Station is active

Circuit board cover box:
Cover box provides extra protection for the circuit board

MOUNTING

*screw-hole dimensions are standard 2-gang.

