

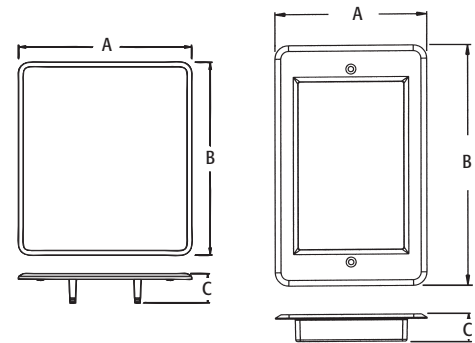
Recessed Indoor IN BOX™ for New & Retrofit Construction

Non-metallic, recessed electrical boxes with trim plates and wall plates. Low voltage divider included for multiple gang boxes.

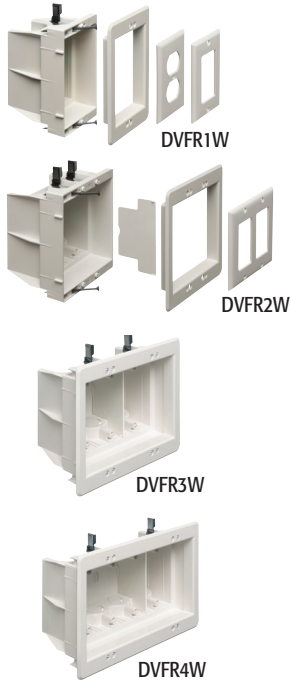
CATALOG NUMBER	UPC/DCI/NAED MFG #018997	DESCRIPTION / CU. IN.	UNIT PKG	STD PKG	DIM A	DIM B	DIM C
DVFR1W	14330	Single Gang / 21.0	1	4	4.200	6.698	.750
DVFR2W	14331	2-Gang, White / 34.0	1	4	6.012	6.698	.750
DVFR3W	14340	3-Gang, White / 49.3	1	1	7.930	6.818	3.875
DVFR4W	14342	4-Gang, White / 64.5	1	1	9.742	6.818	3.875
DVFR3C	10570	Non-Metallic Blank Cover for 3-Gang Box	10	10	9.742	6.818	1.017

*Includes Voltage Separator for power and/or low voltage.

†Add suffix "GC" to Catalog # when ordering in Canada, for example DVFR1WGC.



Single Gang Indoor IN BOX includes... Recessed box, trim plate, (1) standard duplex and (1) standard GFCI face plate, (1) NM94 cable connector, (2) mounting screws, and (2) installation screws.



FEATURES AND BENEFITS

- Recessed box allows items, such as furniture, to be placed closer to the wall
- Plugs don't extend past the wall like a regular box
- Trim plate is textured/paintable
- For power or low voltage applications
- Mounting wings hold bracket securely against wall when screws are tightened



New Work...
Screws provided for fast and easy mounting to stud



Attractive!
DVFR1W shown.



Optional box cover.
DVFR3C shown.



Box positioning tabs are set for 1/2" or 5/8" drywall.

DVFR3C can be used with the following Arlington Boxes...

- DVFR1W
- DVFR2W
- TVBS505
- TVBU505
- TVBU505BL
- TVBR505K

Scan For Video



Scan For Video

