

Smoke Detector shown in normal operating condition.  
 Upon smoke detection, the relay will switch over, tying  
 COM and NO together.

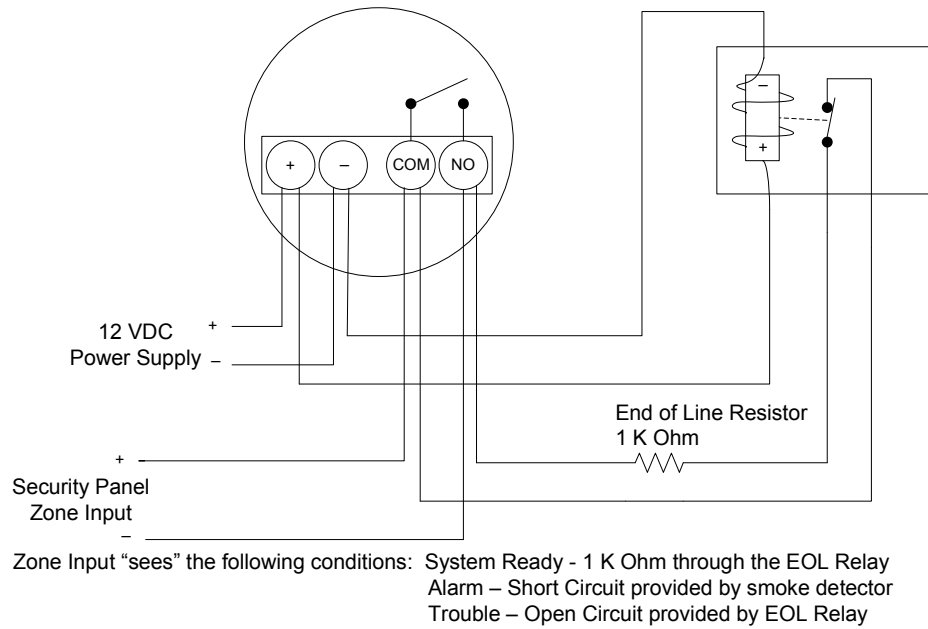


Figure 1 – Single 4-Wire Smoke Detector with EOL Relay and Resistor

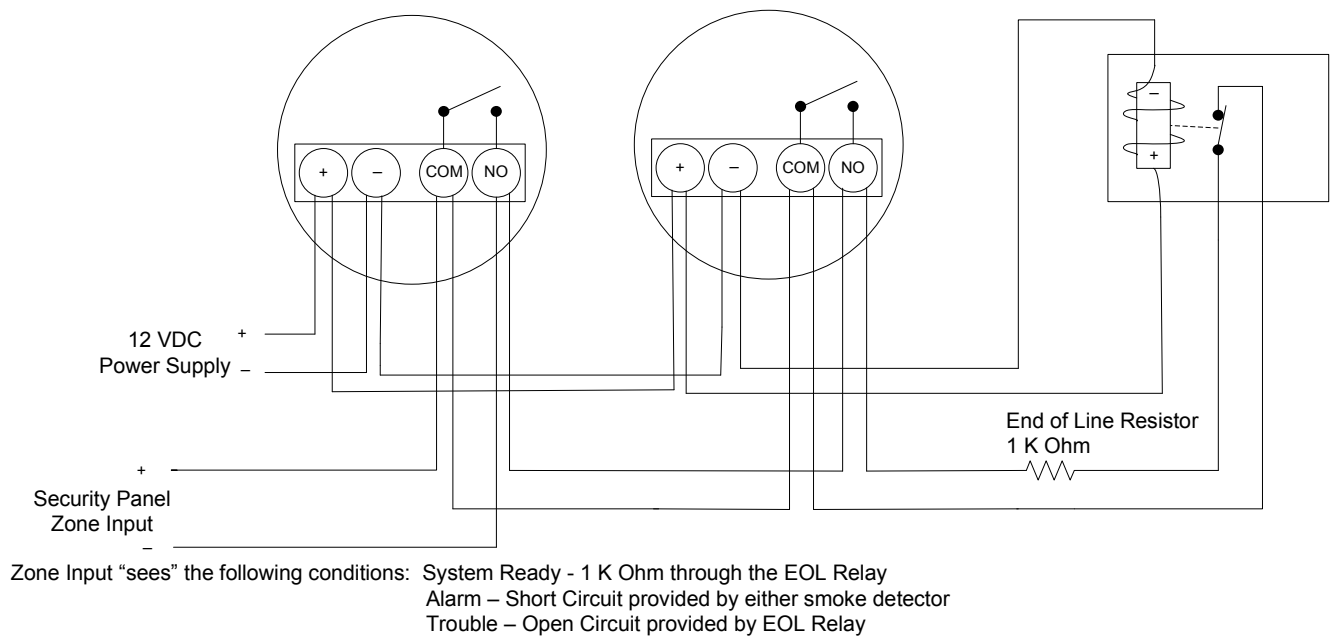


Figure 2 – Two 4-Wire Smoke Detectors with EOL Relay and Resistor