

### 1. INTRODUCTION

The On-Q/Legrand Ball Camera Microphone (P/N CM1026), see **Figure 1**, is an optional accessory for the On-Q "Ball" style Auto Day/Night color camera. It is attached to the rear of the camera assembly, and is used to provide audio from the viewing location. The audio signal travels over the same category 5 cable connected to the camera module in the enclosure as the video signal and any required power.

### 2. DESCRIPTION

The Ball Camera Microphone attaches to the rear of the camera assembly with an eight pin header (see **Figures 1 & 3**) and two provided screws. When properly installed, the microphone lines up with appropriate holes in the gasket, cover plate, cover mounting plate and camera assembly for proper sound detection (see **Figures 4 & 5**).

### 3. INSTALLATION

#### A. ELECTRICAL CONNECTION AND PHYSICAL ATTACHMENT

1. The Camera assembly contains a set of eight header pins (see **Figure 2**) for connection to the microphone PC board. Simply line up the pins with the header on the microphone PC board and gently press it onto the pins.
2. The microphone PC board is retained with two supplied screws (see **Figure 3**).

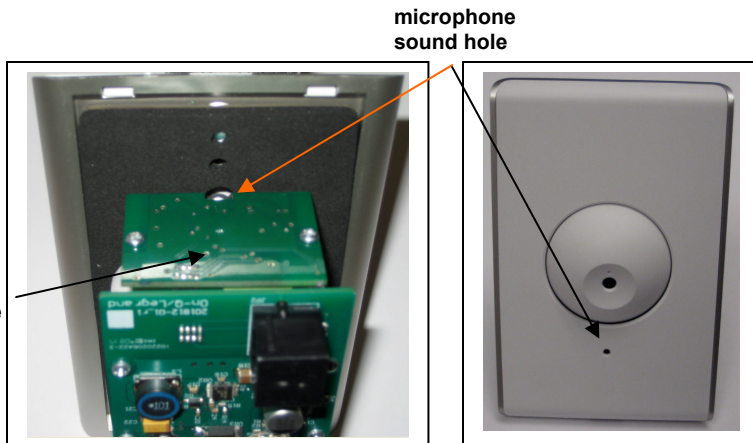
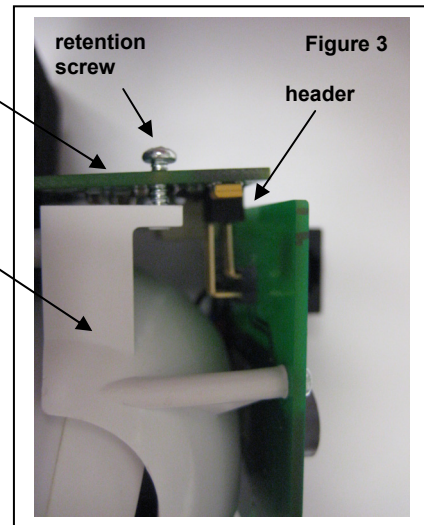
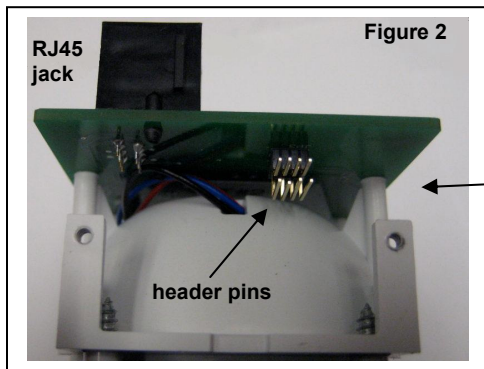
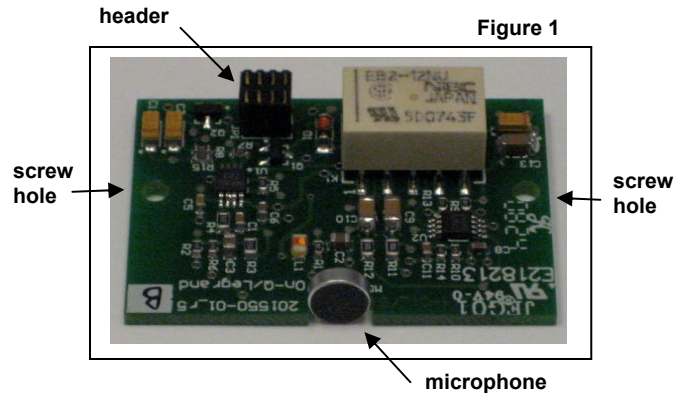


Figure 4

Figure 5