

## 4-in-1 HD Turret Cameras with WDR

### Installation Manual



EV-Y2501-AMWWQ shown



Model	Lens	Resolution	Voltage	Style	Color
EV-Y2501-A2WWQ	2.8mm	5MP	12VDC	Turret	White
EV-Y2501-AMWWQ	2.8mm~12mm				

- True Day/Night with ICR Module
- True WDR (Digital Wide Dynamic Range)
- 3D Digital Noise Reduction (3DNR)
- TVI, CVI, AHD, CVBS (Analog)
- Rugged, weatherproof (IP66) construction
- Heavy-duty vandal-resistant design
- Cables concealed in bracket to prevent tampering



For the full On-Screen Display manual,  
download from the camera's product  
page on [www.seco-larm.com](http://www.seco-larm.com).

**Parts List**

1x Turret camera  
1x Mounting template

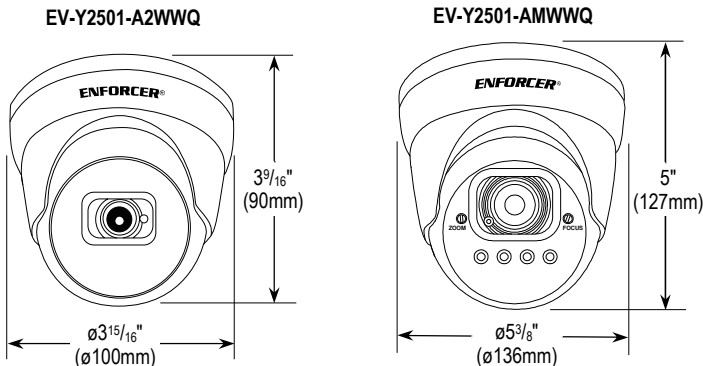
3x Mounting Screws  
1x DC Plug

1x Manual

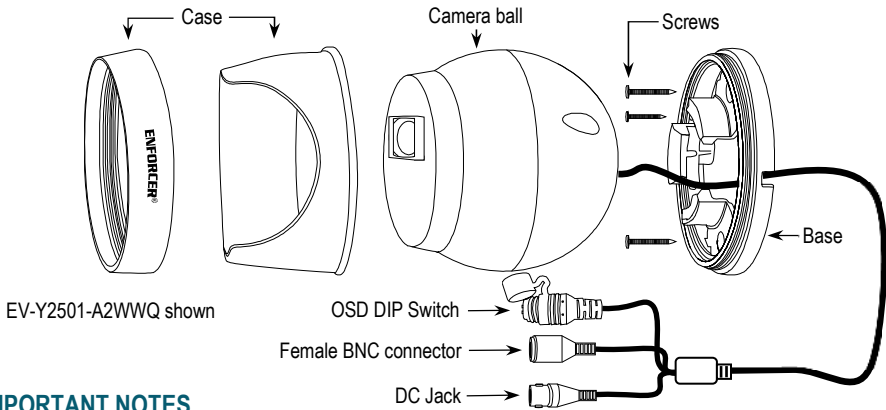
**Specifications**

Model	EV-Y2501-A2WWQ	EV-Y2501-AMWWQ
Housing color	White	
Type	Fixed Turret Camera	Varifocal Turret Camera
Formats	TVI (Default) / CVI / AHD / Analog (CVBS)	
CMOS	1/2.8" 5MP Sony CMOS	
Resolution (HD)	2592x1944	
3DNR	Yes	
2DNR	Yes	
WDR	Yes	
OSD (On-Screen Display)	Yes	
Megapixels	5MP	
Lens	2.8mm ICR	2.8~12mm ICR
Viewing angle	128°	37°~134°
# of IR LEDs	2 (850nm)	4 (850nm)
IR Range	Up to 98ft (30m)	Up to 115ft (35m)
FPS	20FPS	
F Stop	F1.6	F1.8~3.3
Minimum illumination	0Lux	
IR On	0.05Lux@F1.2(AGC On)	
IR Off		
S/N Ratio	35dB	
Shutter control	Auto	
Gain control	Auto	
Operating voltage	12VDC	
Current draw	IR On	440mA
	IR Off	80mA
IP rating	IP66	
Operating temperature	-40°~131° F (-40°~55° C)	
Dimensions	ø3 <sup>15</sup> / <sub>16</sub> "x3 <sup>9</sup> / <sub>16</sub> " (ø100x90 mm)	ø5 <sup>3</sup> / <sub>8</sub> "x5" (ø136x127 mm)
Weight	16.72-oz (474g)	1-lb, 9.3-oz (720g)

**Overview**



**Overview (Continued)**



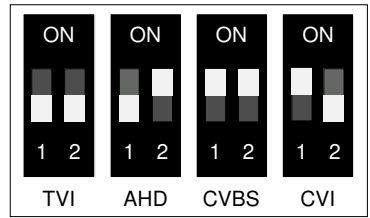
**IMPORTANT NOTES**

- Do not cut DC jack or BNC connector jack as warranty will be voided.
- Do not open camera case, no serviceable parts.

**OSD DIP Switch**

To set the Format via the OSD DIP Switch, move the DIP Switches to the following combinations.

Format	Dip Switch 1	DIP Switch 2
TVI (Default)	OFF	OFF
AHD	OFF	ON
CVBS (Analog)	ON	ON
CVI	ON	OFF



**Before Starting**

1. Use the camera within the given temperature and voltage limits.
2. Do not point the camera at the sun. Heat could damage the camera, even when not in use
3. Do not subject the camera to strong vibrations.
4. Do not mount the camera in areas exposed to radiation, strong magnetic fields, or strong electrical signals

**Installation**

1. Run a 12VDC power supply wire and a video cable with a male BNC connector through the wall to where the camera is to be mounted.
2. Loosen the outer case ring and remove the case from the base.

**NOTE:** The camera ball is NOT attached to the case or the base. It sits loose inside the case, so be very careful when removing the case from the base. Do not drop the camera ball.

3. Mount the base to the wall using the three included mounting screws. If the wall is made of dry wall, brick, or similar material, it may be necessary to use the included screw anchors.
4. Run the camera's BNC and power connectors through the camera base, and connect to the video and power wires that were run through the wall.

## Installation (Continued)

- Put the case over the camera ball and onto the base
- Holding the case loosely on the base, turn the camera ball to the desired direction. Use a small screwdriver to adjust the zoom and focus of the camera ball if needed, via the holes marked "ZOOM" and "FOCUS" on the top of the camera ball (EV-Y2501-AMWWQ only).

**NOTE:** Before securing installation, make sure to check both the day and night images. Adjust the camera ball in such a way so that there are no objects blocking the camera's view.

- Use the DIP Switches to adjust camera output format.
- Once the ball is pointing in the desired direction, tighten the outer case ring to secure the camera in its position.
- Do a final test of the video camera and monitor.

**NOTE:** For the full On-Screen Display manual, go to the camera's product page at [www.seco-larm.com](http://www.seco-larm.com).

## Troubleshooting

The screen is black	<ul style="list-style-type: none"><li>Check that the camera is powered up</li><li>Check that the power supply's polarity is correct</li><li>Check that the monitor is powered up</li><li>Check that the video cable connecting the camera to the monitor is connected properly</li></ul>
The image is foggy or washed out at night	<ul style="list-style-type: none"><li>Check that there are no objects very close to the camera</li><li>Check that there are no highly reflective objects in the scene</li></ul>
The screen image is dim	<ul style="list-style-type: none"><li>Clean the lens using a soft, clean cloth</li><li>Check that the light source is adequate</li></ul>
The screen image has poor contrast	<ul style="list-style-type: none"><li>Adjust the monitor's contrast knob</li><li>Change the position of the camera</li></ul>
The screen image flickers	<ul style="list-style-type: none"><li>Change the position of the camera, check cables and format setting</li></ul>
The screen image is distorted	<ul style="list-style-type: none"><li>Change the position of the camera, check cables and format setting</li></ul>
The camera case is hot	<ul style="list-style-type: none"><li>Check that the correct power supply is in use</li></ul>
IR LEDs do not turn on	<ul style="list-style-type: none"><li>Check that the correct power supply is in use</li></ul>

### FCC COMPLIANCE STATEMENT

THIS DEVICE COMPLIES WITH PART 15 OF THE FCC RULES. OPERATION IS SUBJECT TO THE FOLLOWING TWO CONDITIONS: (1) THIS DEVICE MAY NOT CAUSE HARMFUL INTERFERENCE AND (2) THIS DEVICE MUST ACCEPT ANY INTERFERENCE RECEIVED, INCLUDING INTERFERENCE THAT MAY CAUSE UNDESIRABLE OPERATION.

Notice: The changes or modifications not expressly approved by the party responsible for compliance could void the user's authority to operate the equipment.

**IMPORTANT NOTE:** To comply with the FCC RF exposure compliance requirements, no change to the antenna or the device is permitted. Any change to the antenna or the device could result in the device exceeding the RF exposure requirements and void user's authority to operate the device.

**IMPORTANT:** Users and installers of this product are responsible for ensuring this product complies with all national, state, and local laws and statutes related to monitoring and recording audio and video signals. SECO-LARM will not be held responsible for the use of this product in violation of any current laws or statutes.

**IMPORTANT:** Users and installers of this product are responsible for ensuring that the installation and configuration of this product complies with all national, state, and local laws and codes. SECO-LARM will not be held responsible for the use of this product in violation of any current laws or codes.

**California Proposition 65 Warning:** These products may contain chemicals which are known to the State of California to cause cancer and birth defects or other reproductive harm. For more information, go to [www.P65Warnings.ca.gov](http://www.P65Warnings.ca.gov).

**WARRANTY:** This SECO-LARM product is warranted against defects in material and workmanship while used in normal service for three (3) years from the date of sale to the original customer. SECO-LARM's obligation is limited to the repair or replacement of any defective part if the unit is returned, transportation prepaid, to SECO-LARM. This Warranty is void if damage is caused by or attributed to acts of God, physical or electrical misuse or abuse, neglect, repair or alteration, improper or abnormal usage, or faulty installation, or if for any other reason SECO-LARM determines that such equipment is not operating properly as a result of causes other than defects in material and workmanship. The sole obligation of SECO-LARM and the purchaser's exclusive remedy, shall be limited to the replacement or repair only, at SECO-LARM's option. In no event shall SECO-LARM be liable for any special, collateral, incidental, or consequential personal or property damage of any kind to the purchaser or anyone else.

**NOTICE:** The SECO-LARM policy is one of continual development and improvement. For that reason, SECO-LARM reserves the right to change specifications without notice. SECO-LARM is also not responsible for misprints. All trademarks are the property of SECO-LARM U.S.A., Inc. or their respective owners. Copyright © 2023 SECO LARM U.S.A., Inc. All rights reserved.

## SECO-LARM® U.S.A., Inc.

16842 Millikan Avenue, Irvine, CA 92606  
Phone: (949) 261-2999 | (800) 662-0800

Website: [www.seco-larm.com](http://www.seco-larm.com)  
Email: [sales@seco-larm.com](mailto:sales@seco-larm.com)

