

14" Structured Media® Center Enclosure

APPLICATION

The new 14" Structured Media® Center enclosure makes running cable and managing media both simple and cost-effective. Designed to provide a central distribution point for home or small office technologies, the enclosure accommodates the distribution of voice, data, video, audio, security and control applications



SPECIFICATION

The 14" Structured Media® Center enclosure shall be a one-piece (excluding cover) box, made of 20-gauge, white powder-coated steel. It shall flush mount with four wood screws (provided) on standard 16" center wall studs prior to drywall, or surface mount after drywall installation. The enclosure shall have a cutout to accommodate a single-gang J-Box power module, AC power module, or a Mini or Universal DC power supply. The enclosure shall include multiple knockouts on the top and bottom to support conduit up to 2" in diameter and facilitate cable routing and entry. The enclosure shall meet all applicable standards: be cULus and ACA listed, UL listed for fire and burglary systems, comply with all TIA-568A and TIA-570-B requirements, and meet FCC part 68. The manufacturer shall provide a two-year limited product warranty. Product and performance warranties are extended to 25 years if installed by a Leviton Residential Network Installer.

FEATURES

- Cutout pattern in bottom accommodates the same AC power modules and DC power supplies as the 28" and 42" enclosures
- Mounting slots on the enclosure simplify adjustment for different sheetrock depths
- Sheetrock depth marks ($\frac{1}{2}$ ", $\frac{5}{8}$ ", $\frac{3}{4}$ ") on the enclosure simplify alignment
- Lance slots provide clean cable management within the enclosure
- Product may be surface- or recess-mounted
- Flush Mount Cover, Hinged Cover, and Premium Hinged Covers are designed for use with 14" Structured Media enclosures
- Flush Mount Cover overlaps $\frac{3}{4}$ " to hide possible uneven drywall cuts around the enclosure
- Ships with a cardboard insert to help prevent drywall debris or paint over-spray from entering the enclosure during the rough-in stage of installation
- Keyhole slots on the cover for easier installation
- Multiple knockouts on the top and bottom support conduit up to 2" in diameter and facilitate cable routing and entry
- Self-healing foam grommets protect cable bundles and protects from dust entering the enclosure

IMPORTANT NOTES

- Recess-mounting should precede drywall installation
- Enclosure not intended to be mounted in firewall applications

STANDARDS COMPLIANCE

- cULus and ACA listed
- Complies with all TIA-568A and TIA-570B requirements
- Meets FCC part 68
- UL Listed for fire and alarm systems

PHYSICAL SPECIFICATIONS

Dimensions: Enclosure: 14.0" H x 14.38" W x 3.63" D

Cover: 15.32" H x 15.62" W x 0.20" D

Materials: Enclosure: 20-gauge, white powder-coated steel

Cover: 18-gauge, white powder-coated steel

Capacity: Maximum of two full-sized distribution panels

WARRANTY INFORMATION

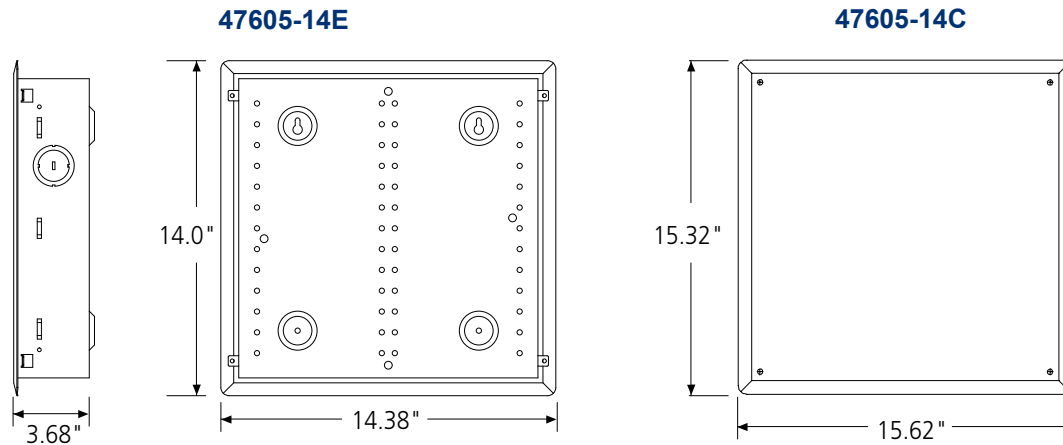
For a copy of Leviton product warranties, visit www.leviton.com.

COUNTRY OF ORIGIN

Assembled in Mexico

ELECTRONIC FILES

For CAD files, typical specs, or technical drawings (.DXF, .DWG, Visio), visit www.leviton.com.

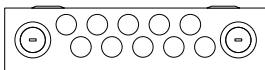


47605-14X

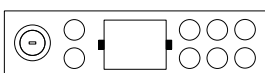
Leviton 14" Structured Media Enclosures & Covers

| Description | Part No. |
|--|-----------|
| 14" Enclosure and Flush Mount Cover, 15.32" (389.1 mm) H x 15.62" (396.7 mm) W x 3.68" (93.5 mm) D | 47605-140 |
| 14" Enclosure only, 14.0" (355.6 mm) H x 14.38" (365.3 mm) W x 3.60" (91.4 mm) D | 47605-14E |
| 14" Multi Dwelling Unit Configuration A Enclosure and Flush Mount Cover, 15.32" (389.1 mm) H x 15.62" (396.7 mm) W x 3.68" (93.5 mm) D * | 47605-1MG |
| 14" Flush Mount Cover, 15.32" (389.1 mm) H x 15.62" (396.7 mm) W x 0.20" (5.1 mm) D | 47605-14C |
| 14" Economy Hinged Cover, 15.32" (389.1 mm) H x 15.62" (396.7 mm) W x 0.25" (6.4 mm) D | 47605-14D |
| 14" Premium Hinged Cover, 15.32" (389.1 mm) H x 15.62" (396.7 mm) W x 0.25" (6.4 mm) D | 47605-14P |
| 14" Enclosure only job packed, 6 per pack, 14.0" (355.6 mm) H x 14.38" (365.3 mm) W x 3.60" (91.4 mm) D | 47605-14G |
| 14" Flush Mount Cover only job packed, 6 per pack 15.32" (389.1 mm) H x 15.62" (396.7 mm) W x 0.20" (5.1 mm) D | 47605-14B |

*14" MDU enclosure Configuration A:



Top



Bottom

