

QuickPort® Snap-In Connectors USOC and Voice Grade

APPLICATION

Modular connector for voice grade structured cabling systems. Snaps into the entire Leviton QuickPort® family of workstation housings, Multimedia Outlet System (with QuickPort module adapter), Decora® Inserts, patch panels and patch blocks.

FEATURES

- Exclusive cutting ledge combines termination and trim into one labor-saving step.
- Individual-port configurability allows specification flexibility.
- Robust one-piece lead-frame design.
- Narrow connector allows high port density in a small area.
- Voice Grade and USOC wire configuration labels.

STANDARDS COMPLIANCE

Meets or exceeds all applicable standards: UL Listed; CSA Certified; complies with NEC® Article 800 and TIA/EIA-568-B; and meets FCC Part 68.

PHYSICAL SPECIFICATIONS

Dimensions: .885"H x .636"W x 1.179"D

Materials: Connector body is high-impact, fire-retardant plastic rated UL 94V-0. Spring wire contacts are highest quality phosphor bronze, plated with 50 microinches of gold over 100 microinches of nickel for lowest contact resistance, maximum life. Connector 110 IDC contacts are solder-plated phosphor bronze.

DESIGN CONSIDERATIONS

- Use in any QuickPort housing to support voice grade UTP applications in surface-mount, flush-mount, or modular furniture environments.
- Can be used in conjunction with other QuickPort snap-in modules for voice/data applications over UTP, coax and fiber.
- For port identification, use different colored connectors for each application or Pre-Printed Port Designation Labels.

WARRANTY INFORMATION

For a copy of Leviton product warranties, log on to www.levitonvoicedata.com/warranty.

See ELECTRONIC FILES for CAD files (.DXF, .DWG, MS-DOS.EPS) on disk



For ELECTRONIC Typical Specs see (.TXT) file on disk.

TYPICAL SPECIFICATION

The Voice Grade connectors shall be individual snap-in style. The connectors shall comply with all National Electrical Codes and FCC Part 68; UL listed; and CSA Certified. All plastics used in construction of the connector bodies shall be fire-retardant with a UL flammability rating of 94V-0. Termination of all connectors shall be 110-type IDC with solder-plated phosphor bronze contacts. The connector shall provide a ledge directly adjacent to the 110-style termination against which the wires can be directly terminated and cut in one action by the installer. The voice grade connector shall fit all other installed telecommunications wallplates, outlets and field-configurable patch panels and patch blocks.

QuickPort® Snap-In Connectors



For Technical Support Call 1-425-485-4288; in USA call 1-800-824-3005.
Spec sheets and updates are also available at www.levitonvoicedata.com.

2222 - 222nd St. SE • Bothell, WA 98021 USA
Tel: 1-800-722-2082 / 1-425-485-4288 • Fax: 1-425-483-5270 • Int'l Fax: 1-425-485-9170 • GSA Schedule Available.



QuickPort® Snap-In Connectors

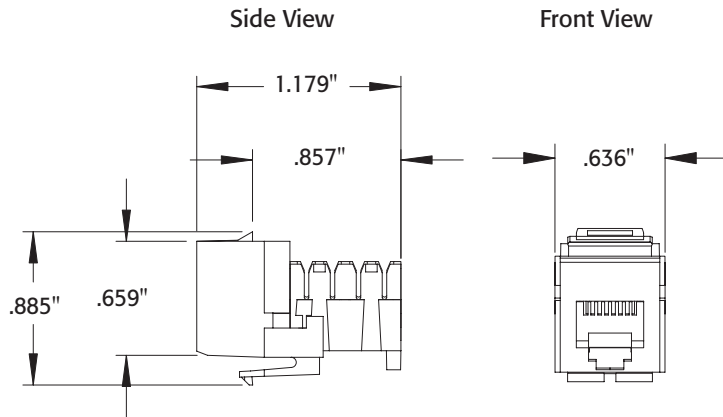
USOC and Voice Grade

Part Numbers
41106-Rx6
41108-Rx8

.....

DIMENSIONAL LINE ART

See ELECTRONIC FILES for CAD images
 (.DXF, .DWG, MS-DOS.EPS)



PART NUMBERS

Description	Part No.
USOC QuickPort Snap-in Connector, 6-conductor	41106-R*6
Voice Grade QuickPort Snap-in Connector, 8-conductor	41108-R*8

* = Color Choices: Ivory (I), White (W), Grey (G), Black (B), Orange (O), Blue (L), Yellow (Y), Dark Red (R), Brown (B), Almond (A), Green (V), Purple (P), Crimson Red (C)



For Technical Support Call 1-425-485-4288; in USA call 1-800-824-3005.
 Spec sheets and updates are also available at www.levitonvoicedata.com.



2222 - 222nd St. SE • Bothell, WA 98021 USA • Tel: 1-800-722-2082 / 1-425-485-4288 • Fax: 1-425-483-5270 • Int'l Fax: 1-425-485-9170 • GSA Schedule Available.