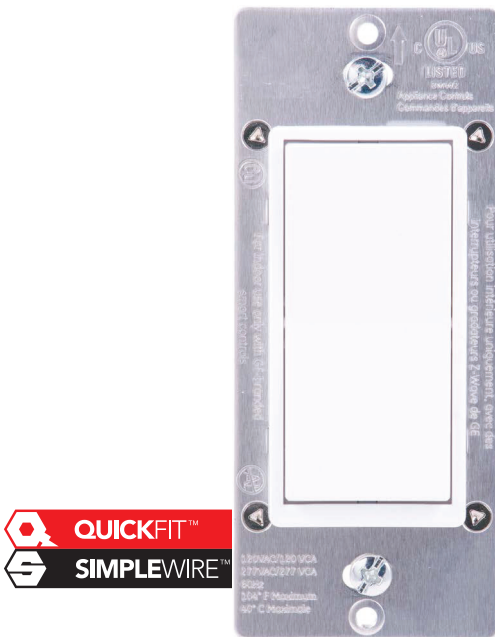


# Enbrighten In-Wall Add-on Switch, Rocker

enbrighten®



## Specifications

**Power:** 120/277VAC, 60Hz

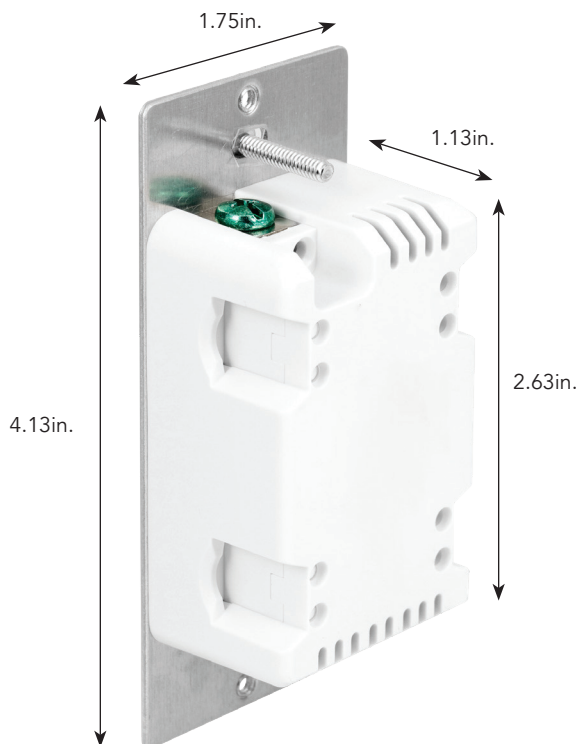
**Operating Temperature:** 32-104° F (0-40° C)

**Warranty:** 5-year limited product warranty

**Switch must be mounted indoors**

## Design Features

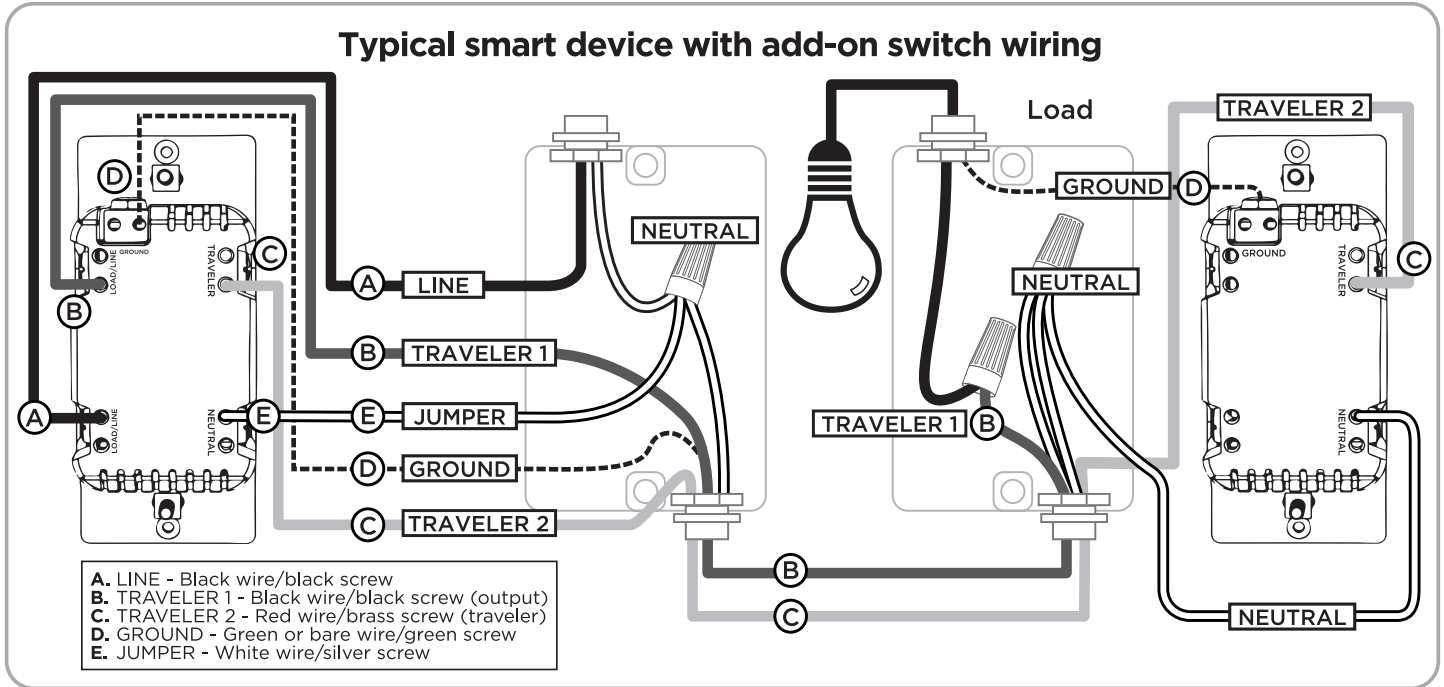
- For use in 3-, 4-, 5- or 6-way configurations with Enbrighten Wi-Fi, Z-Wave or Zigbee in-wall devices
- Requires wiring connections neutral, traveler and ground
- QuickFit – improved components reduce the housing depth by up to 20% compared to previous models and eliminated the need for heat tabs
- SimpleWire – dual ground ports support daisy-chaining in multi-switch setups
- Connect up to four add-on switches to primary switch
- Maximum traveler wire distance: 300ft. interconnected between four add-on switches
- No more than 75ft. between each switch
- Maximum traveler wire distance between primary and one add-on switch: 200ft.
- Requires Enbrighten smart control – not a stand-alone switch
- Interchangeable rocker switch – white and light almond paddles included
- Uses a standard rocker wallplate – not included



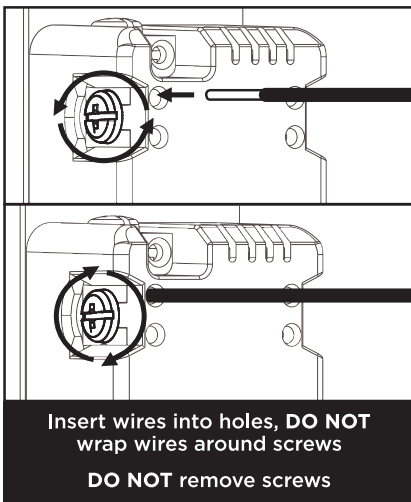
## Installation Recommendations

- Insert wire into port and tighten screw – do not wrap wire around screw
- Indoor use only
- Wallplates sold separately
- Trilingual instruction manual – English, French, Spanish

Multi-Location Wiring



Space-Saving Screw Terminals



Certifications & Compliances



Compliances, specifications and availability are subject to change without notice.

Distributed by Jasco Products Company LLC  
 10 E. Memorial Rd., Oklahoma City, OK 73114.

Questions? Contact our U.S.-based Consumer Care at  
 1-800-654-8483, M-F, 7AM-8PM Central Time.

©Jasco 2024

Related Products - Enbrighten In-Wall Smart Controls



**59337**  
 In-Wall Smart Switch, 120/277



**58433**  
 In-Wall Smart Switch



**58438**  
 In-Wall Smart Dimmer



**58449**  
 In-Wall Smart Outlet