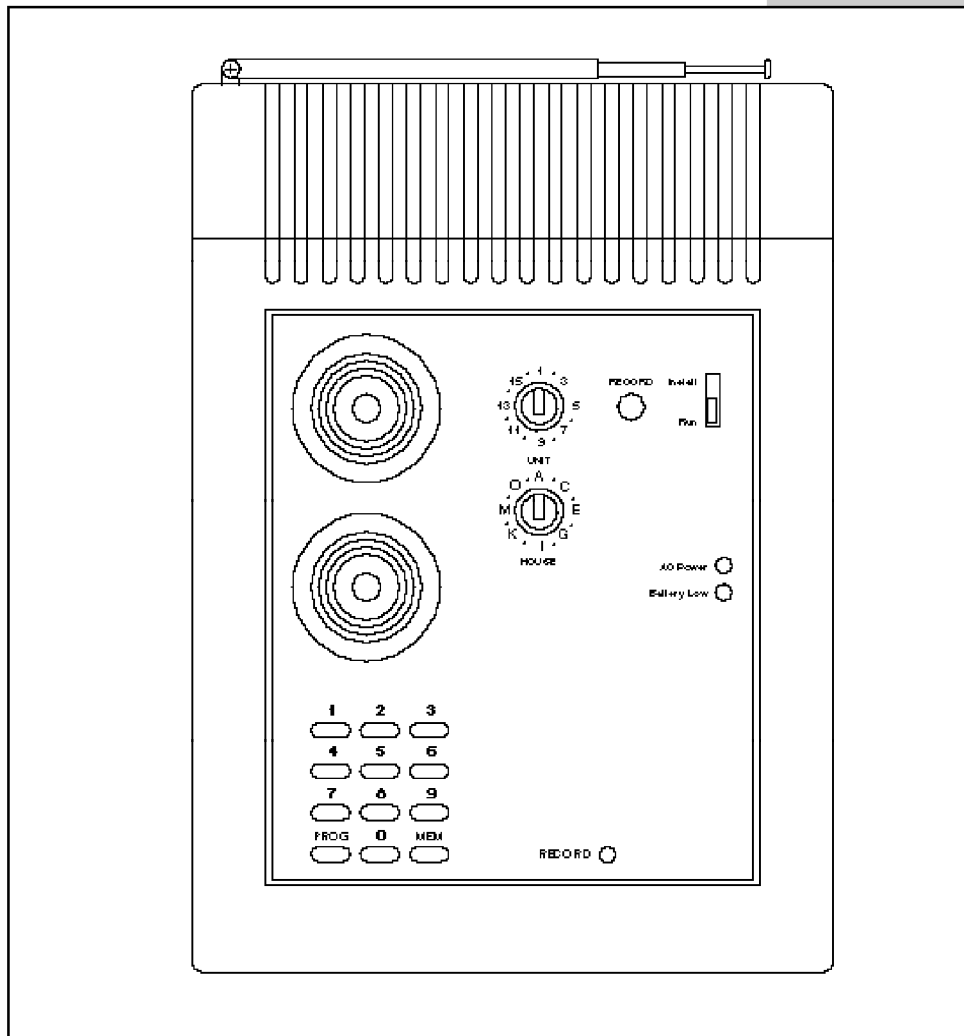




Personal Assistance System

Owner's Guide



Personal Assistance System PSC07

READ THIS FIRST

This equipment generates and uses radio frequency energy, and if not installed and used properly, that is, in strict accordance with the manufacturers instructions, may cause interference to radio and television reception. It has been type tested and found to comply with the limits for remote control security devices in accordance with the specifications in Sub-Parts B and C of Part 15 of *FCC Rules*, which are designed to provide reasonable protection against such interference in a residential installation. However, there is no guarantee that interference will not occur in a particular installation. If this equipment does cause interference to radio or television reception, which can be determined by unplugging the equipment, try to correct the interference by one or more of the following measures.

- Reorient the antenna of the radio/TV experiencing the interference.
- Relocate the console with respect to the radio/TV.
- Move the console away from the radio/TV.
- Plug the console into an outlet on a different electrical circuit from the radio/TV experiencing the interference.

If necessary, consult X-10 Pro Technical Support for additional suggestions.

The Personal Assistance Console's telephone dialer is designed to conform to federal regulations, and it can be connected to most telephone lines. However, each telephone or telephone device that is connected to the telephone line draws power from the telephone line. This is referred to as the device's ringer equivalence number, or REN.

If more than one telephone or other device is connected to the same line, add up all the RENs. If the total is more than five, the telephones might not ring. In rural areas, a total REN of three might impair ringer operation. If ringer operation is impaired, remove one of the devices from the line.

Note: The console must not be connected to:

- Coin-operated systems
- Party-line systems
- Most electronic key telephone systems

The console's telephone dialer complies with Part 68 of *FCC Rules*. You must, upon request, provide the FCC registration number and the REN to the local telephone company. Both numbers are shown on the bottom of the console.

The telephone portion of the Personal Assistance Console has been tested and found to comply with all applicable UL and FCC standards.

In the unlikely event that the console causes problems on the telephone line, the telephone company can disconnect service. The telephone company attempts to notify you in advance. If advance notice is not practical, the telephone company notifies you as soon as possible and advises you of your right to file a complaint with the FCC.

Also, the telephone company can make changes to its lines, equipment, operations, or procedures that could affect the operation of this console. The telephone company notifies the owner of these changes in advance, so the necessary steps can be taken to prevent interruption of telephone service.

Note: The security functions of this system have not been tested by Underwriters Laboratories.

Contents

Introduction	4
Installation	5
Locating The Console	5
Console	6
Pendant Remote	7
Lamp Module	8
Home Automation Remote	9
Other X-10 Pro Products	10
Setting Up the Dialer	11
Programming Phone Numbers	12
Recording a Voice Message	13
Battery Information	12
General	12
Console	12
Pendant Remote	12
Clearing Remotes from the Console	13
Troubleshooting	14

Introduction

The X-10 Pro Personal Assistance System is built around a Personal Assistance Console with an automatic dialer that calls neighbors or friends when the CALL button is pressed on the Pendant Remote.

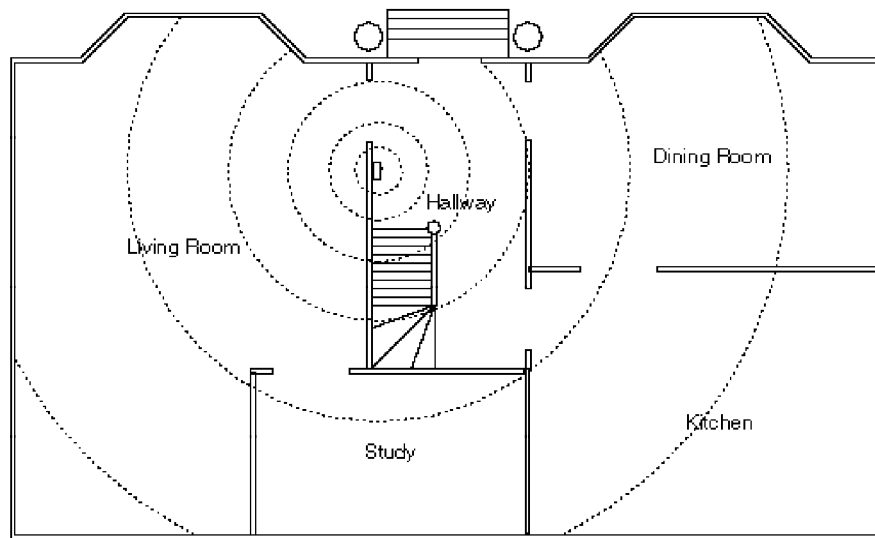
The system may be configured with any combination of the following items:

- Up to 16 Pendant Remotes
- Additional X-10 Pro automation modules such as plug-in lamp and appliance modules and wired-in replacement wall switches.

This manual describes the installation process for the Console and Pendant Remotes. It does not cover the additional X-10 Pro automation modules which are supplied with their own installation instructions.

Installation

Locating the Console



Choose a location for the Personal Assistance Console which is as central as possible in the house, while providing access to a modular telephone jack and an AC outlet. The console may be placed on a shelf or table, or may be fixed to a wall using the optional mounting bracket and screws.

Installation

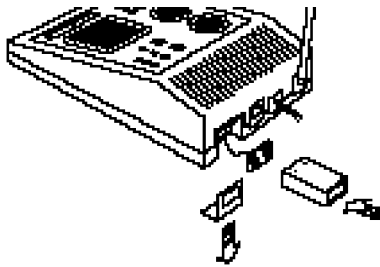
Console

Mounting the console

The Personal Assistance Console is designed to be installed free-standing on a table top or shelf. A wall mounting bracket is also available.

Fitting the backup battery

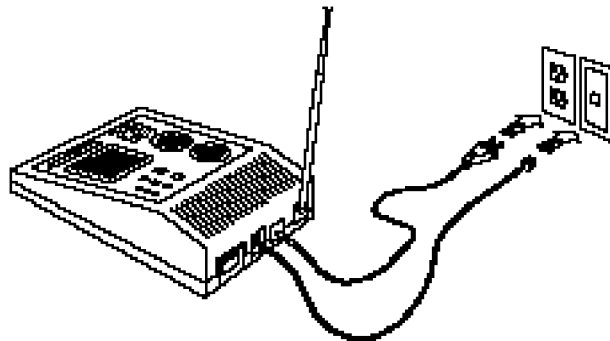
Slide off the battery compartment cover and clip a 9V battery onto the battery contacts. Slide the battery into the battery compartment and replace the cover. When AC power is applied the battery LED on the front panel will go out. It is not necessary to disconnect power to the console when fitting or replacing batteries.



Attaching cables

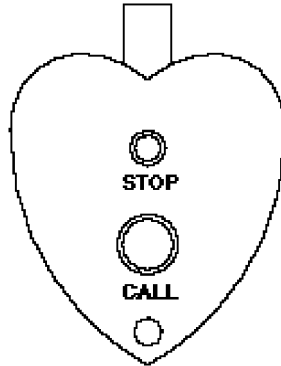
A telephone cord terminated at each end in an RJ11 connector is provided for telephone connection. If possible, the console should be connected to its own telephone line to ensure that the line cannot be busy when the console attempts to dial out. For applications where this is not practical, the console may also share a line with an existing telephone using a 'T' adapter.

Note: *The X-10 Pro Personal Assistance Console is not designed to operate with an RJ31X type telephone connection.*



Installation

Pendant Remote



Registering the Pendant Remote with the Console

- Set the slide switch on the Console to INSTALL.
- Press CALL. The console beeps once to confirm that the pendant has been registered.
- Return the console slide switch to the RUN position.

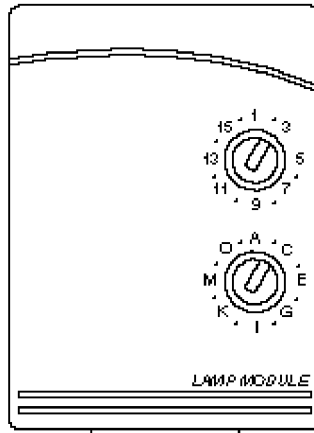
Testing the Pendant Remote

- Set the slide switch on the Console to RUN.
- Press CALL on the remote. The console is triggered and the alarm sounds.
- Press STOP to cancel the alarm.

Note: *If the console has already started dialling out, it will finish dialling the current number before canceling the alarm.*

Installation

Lamp Module



Installing the Lamp Module

When the console's alarm trips, lamps connected to Lamp Modules set to the same House Code as the console flash on and off. The lamps stop flashing and remain on after about 4 minutes or when STOP is pressed on the Pendant Remote.

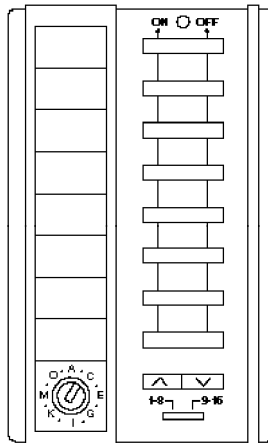
- Set the House Code dial to match the House Code set on the Personal Assistance Console.
- Set the Unit Code dial to an unused code which can be controlled from a remote or plug-in controller as required.
- Plug a lamp into the Lamp Module and plug the Lamp Module into a convenient AC outlet, preferably an unswitched one to ensure that the lamp will always operate when the alarm is triggered.

Local control

The Lamp Module includes circuitry to sense the lamp's own on/off switch to turn the lamp on locally. To switch a lamp on, turn the lamp's own switch off then on again.

Installation

Home Automation Remote



Installing the Home Automation Remote

The X-10 Pro Home Automation Remote works with your Personal Assistance Console to let you control lamps and appliances anywhere in the home.

Just set the House Code dial to the same House Code as the Personal Assistance Console and you're ready to go.

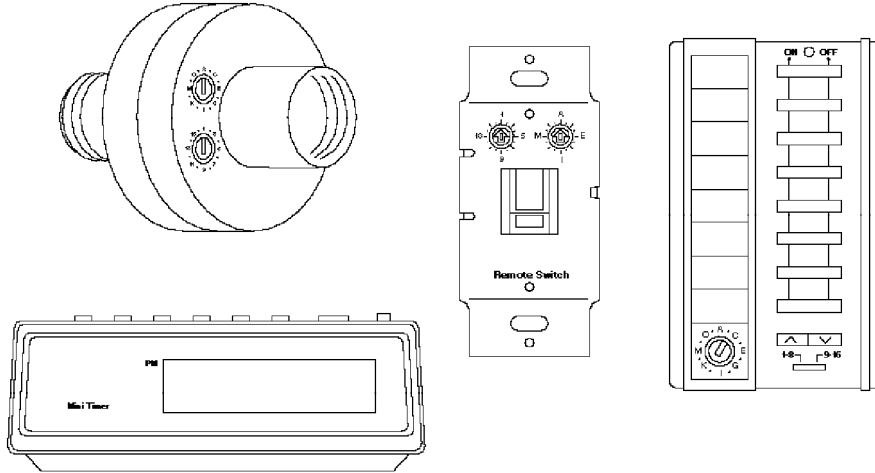
Using the Home Automation Remote

To switch on a lamp or appliance, press the left side of the numbered key that matches the Unit Code on the X-10 Pro module being controlled. Press the Bright and Dim keys to adjust the brightness of lamps connected to Lamp Modules or Wall Switch Modules.

Move the slide switch to '9-16' to control modules with unit codes 9-16.

Installation

Other X-10 Pro products



Modules

A wide range of switch and control modules are available from X-10 Pro, all of which work together with the Personal Assistance System. Modules available include replacement wall switches, X-10 controlled AC outlets, screw-in lamp modules, plug-in appliance modules and many others.

Remotes

As well as being able to add up to 16 Pendant Remotes to the system, it is also possible to add any number of Home Automation wireless remotes such as the Sixteen Plus™ Home Automation remote which controls up to 16 modules around the house.

Controls

A range of plug-in controls are available including the Mini Timer which can control up to four modules with two on/off times each day, the Telephone Responder which allows the owner to use any touch tone 'phone to call home and control X-10 Pro modules, and products which allow any Windows™ or DOS PC to control X-10 functions.

Special products

For special installation requirements a range of accessory products are available including powerline filters for multiple installations in close proximity, RF and powerline repeaters for larger installations and interface modules to tie-in X-10 control with third party security products.

Setting up the Dialer

Programming Phone Numbers

Note: you should program the console to call a friend, relative or neighbor who can then listen-in to your home to determine if there is a real problem. The person can then call the appropriate emergency services if necessary, or call you back to see if everything is fine. You should NOT program the console to dial the police or other emergency services directly.

1. Set the console to INSTALL.
2. Press PROG button.
3. Enter the first phone number that you want the console to call in the event of a problem.
4. Press the MEM button.
5. Press 1 to store the phone number in memory location 1.
Press PROG, enter second phone number, press MEM, 2.
Press PROG, enter third phone number, press MEM, 3.
Press PROG, enter fourth phone number, press MEM, 4.

Repeat the above process to change a phone number.

Note: if you only want to program one phone number, you should store this number in all four memory locations.

Storing a Voice Message

1. Set the console to INSTALL.
2. Press the RECORD button.
The BUSY light turns on.
3. Speak clearly into the microphone on the front of the console. You can record up to 15 seconds of speech. For example: "There is a burglary in progress at (address). Press 0 to listen-in."
After 15 seconds the BUSY light turns off.
4. Plug the earphone into the jack on the side of the console.
5. Set console to RUN. The console plays back your message through the earphone so you can hear what it sounds like (it sounds better when played back over the phone line).
6. If you want to hear the message again, set console to INSTALL then back to RUN.

Battery Information

General

X-10 Pro Pendant Remotes are designed to operate for approximately two years when fitted with a 3V alkaline cell. Since operating conditions vary from installation to installation however, it is recommended that all batteries are replaced once a year.

Console

Battery backup

The battery in the console is used as a backup when there has been a power failure. The battery provides approx. 20 hours of backup time provided the alarm has not been triggered.

While on battery backup, the console will continue to operate, and will sound the siren (if enabled) and dial out if the alarm is triggered. It will not, of course, flash the house lights or trigger Power Horn sirens. If both the AC supply and the battery fails, the console will no longer dial out or sound the siren, and will lose its telephone numbers and recorded message.

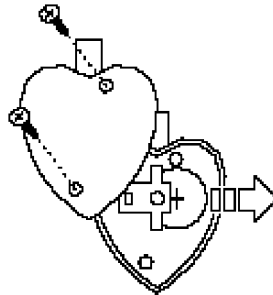
Battery Replacement

Batteries can be replaced at any time, even while the unit is powered up. There is no special procedure for battery replacement.

Pendant Remote

Battery Replacement

Providing the battery has not already failed, it may be replaced with fresh batteries without the need to re-install the remote provided the fresh battery is fitted within 30 seconds of removing the old one. Confirm that the remote is still logged in by pressing STOP and listening for the confirmation tone from the console. If there is no sound, the code has been lost and you will need to install the remote again.



To replace the battery, remove the two screws and gently separate the two halves of the cabinet. Slide out the old battery and replace with a fresh 3V Lithium Cell (CR2025).

Battery Information

Clearing Remotes from the Console

If you suspect that a neighboring system is causing false alarms, or if you need to re-install remotes for any other reason, you can clear all sensors and remotes from the console's memory by unplugging it and removing the battery.

Note: You will need to reprogram telephone numbers and recorded message after doing this.

Troubleshooting

PROBLEM	SOLUTION
The console's alarm does not trip when you press CALL on the pendant.	<ul style="list-style-type: none"> • Check that the console's slide switch is set to RUN. • Check that the battery indicator on the Pendant Remote turns on when you press CALL. Replace the battery and reinstall the Remote if necessary.
If the battery indicator on the Console is on.	Replace the console's battery. A 9V alkaline battery provides approximately 20 hours of backup. Replace battery at least once a year.
If you lose your Pendant Remote.	Re-install your complete system to prevent someone else from using the lost remote control.
If the system trips by itself	A neighbor may have a compatible system. Re-install the complete system so that it chooses different RF codes.
If the console does not dial out when you press CALL on the Pendant Remote.	<ul style="list-style-type: none"> • Check that you have programmed in emergency phone numbers. See "Setting Up the Console" • Make sure the console is connected to the phone line. • Make sure the Pendant Remote's battery is good. • Make sure the console has power and the backup battery is good.

Troubleshooting

PROBLEM	SOLUTION
If the console appears to be "locked up".	<ul style="list-style-type: none">• If the RECORD light is on, you may have just switched the console from INSTALL to RUN. The console then plays back the message. Wait 15 seconds and the RECORD light goes out..• If the RECORD light is not on, but the console appears to be locked up, you might have just triggered the system. When the console dials out and someone answers the phone and presses any key, the console is put into the listen mode for 75 seconds. If you immediately call back the person, or they call you, your phone will be busy. Wait for 75 seconds: the console will be operational again and the phone line will be free.

Troubleshooting

Special Notes

Intercom Systems

Intercom systems which send voice signals over existing electrical wiring may interfere with the ability to control modules from your X-10 Pro Personal Assistance system with the intercom in use. If the intercom system has its own separate wiring it will not cause a problem.

Notes

Notes

Notes

