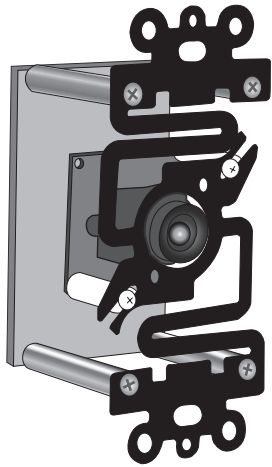


Installation Instructions

Indoor Camera



Package Contents:

- Camera Unit (1)
- Felt Pad (1)
- Lenses - Smoked Glass (1) and Clear (1)
- Power Adapter (1) with screws

DESCRIPTION

The Leviton Indoor video monitoring camera uses a single Cat 5e cable to distribute both power and video between the camera and Leviton Structured Media™ Center.

INSTALLATION

Install with a single gang low voltage ring for new construction or a single gang low voltage ring for retrofit installations at each of the camera locations.

NOTE: For retrofit installations you may need to install a surface mount box when installing the camera to a wall or ceiling location.

WIRING:

To prewire for the Indoor Camera, simply run a single Cat 5e UTP cable from the SMC to each camera location desired.

NOTE: If your cable run length to the camera exceeds 100 meters (328ft) you should power your camera locally. Install a two conductor (minimum 16 ga.) cable in addition to your Cat 5e cable to provide enough current for the camera.

INSTALLING THE INDOOR CAMERA:

- Strip back your Cat 5e cable and terminate to camera using one of the following methods: Punch it onto the camera board following your preferred termination method.

a) Terminate the camera Cat 5e cable directly onto the camera board using the 110 IDC termination block provided. Fan out your Cat 5e cable and follow the color code indicated in **Figure 2**. Punch down your Cat 5e cable using a 110 punch tool.

b) Terminate a **Cat 5e jack 5G108-R*5** (sold separately) to your cable (use **T568A color codes** - **Figure 3**), then use a short Cat 5e patch cord from the jack to the RJ-45 on the camera board to complete the connection (**Figure 4**).

- Set Dip Switch to termination method used (**Figure 1**):
a) IDC (*Leviton recommended) **b)** RJ-45
c) LOCAL

NOTE: Local is only used if powering your camera locally for test purposes.

- Set the camera or cameras that exceed the maximum 100 meter limit into your box and align the mounting strap with the screw slots on your gang box or low voltage ring.
- After you have secured the mounting strap to the box using the provided screws you can adjust the camera viewing angle by pivoting the mounting strap up or down, left or right, within certain limits, to the desired location.
- Using a small flat blade screwdriver slide it into the positioning slot and bend strap according to the desired viewing angle.
- Once camera is positioned insert black felt over the lens. Next choose a clear or tinted lens cover and snap it onto strap in designated slots locations. Please note that the black felt is not necessary when using the tinted lens cover.
- Finally install your single gang wall plate to the single gang box or low voltage ring.

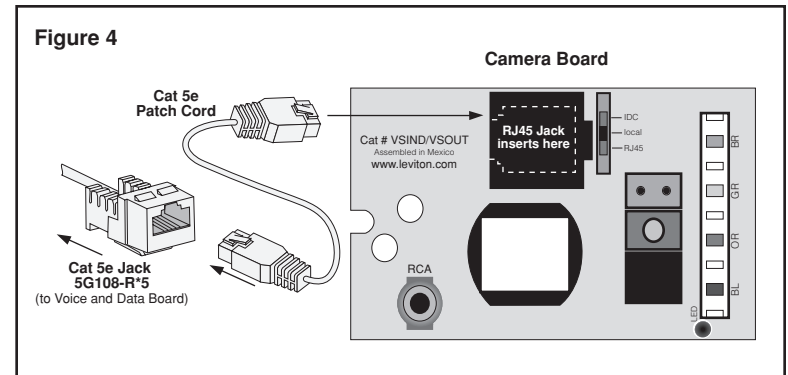
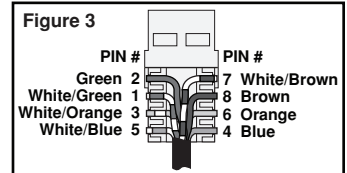
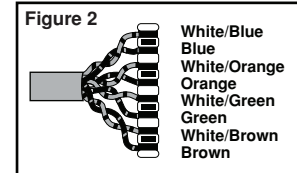
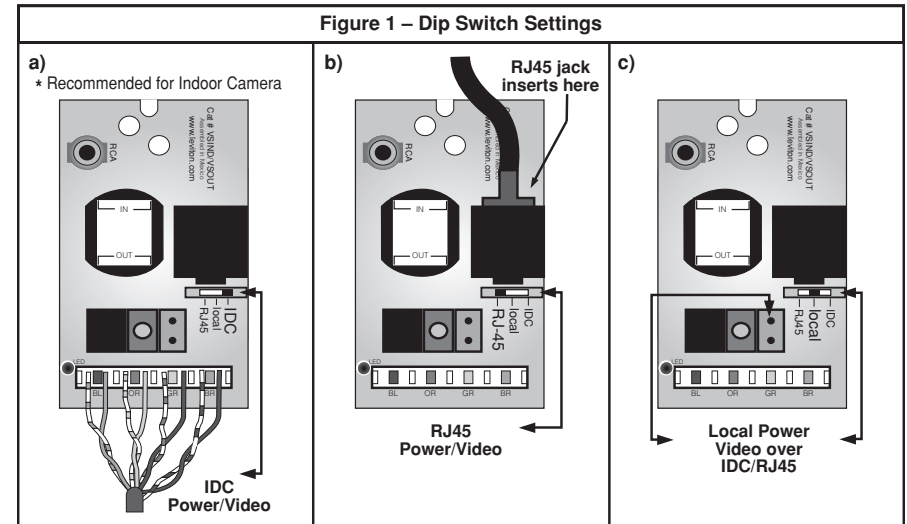
LED: There is a green Led that will light when power is applied to the connector indicated by the slide switch.

RCA Jack: There is an RCA jack accessible from the back of the camera that can be used for testing purposes.

POWERING YOUR CAMERA:

Powering Remotely with Camera Hub (Cat. No. VSHUB):

If your camera Cat 5e cable is 100 Meters (328ft) or less, your camera can be powered over the Cat 5e from the Camera Hub located inside your Structured Media System. A power jack on the Camera Hub requires 12VDC power from either the power supply provided with the Camera Hub board or one of the power supplies listed on the next page:



Leviton Compatible Power Supplies:

NOTE: Each Indoor Camera in no light conditions draws as much as 220 mA from the Camera Hub. Each Indoor Camera draws about 110 mA from the Camera Hub. Make sure the sum of the currents from all devices powered by the power supply in the SMC does not exceed the maximum output of that power supply.

- 47605-PSA (Maximum output: 12VDC at 3000 mA)
- 47605-PSB (Maximum output: 12VDC at 750 mA)
- 48212-DCS (Maximum output: 12VDC at 1500 mA)

NOTE: The Camera Hub board regulates and raises the voltage of the 12VDC input to 15VDC before sending it over the Cat 5e to the camera. Power is sent over 3 pairs of Cat 5e conductors to reduce the resistance loss in the cable. A regulator circuit at the camera reduces the voltage back to 12VDC to power the camera engine.

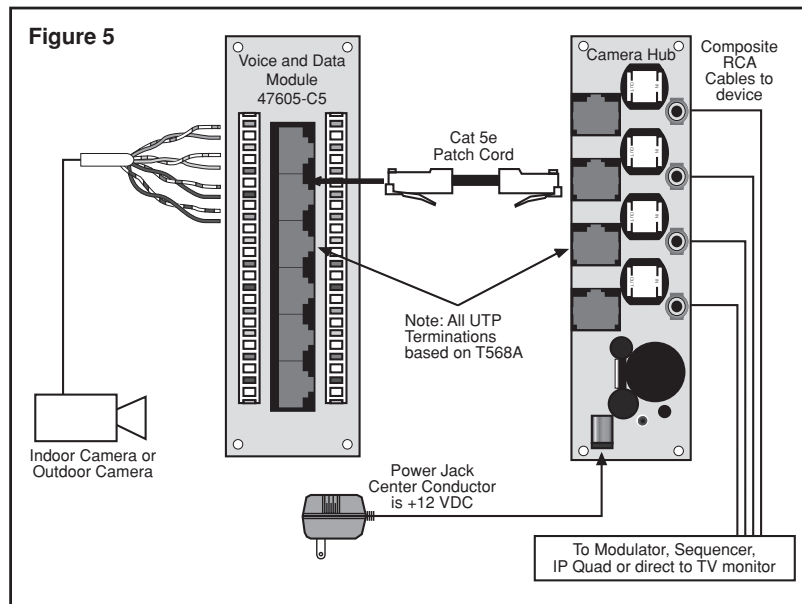
One pair of the Cat 5e is a balanced video signal from the camera to the SMC Camera Hub.

Signal Connections (T568A)	
Wire Color	Signal
White/Green	Power
Green	Ground
White/Orange	Video Signal
Blue	Ground
White/Blue	Power
Orange	Video Signal Ground (-)
White/Brown	Power
Brown	Ground

CONNECTING YOUR Cat 5e CAMERA CABLE IN THE SMC (Figure 5):

- Mount the Camera Hub board (Cat. No. VSHUB) onto a Leviton plastic mounting bracket.
- Terminate the Cat 5e Camera cable in the SMC to an open port on a Leviton Voice and Data board (Cat. No. 47605-C5 - sold separately).
- Next connect a Cat 5e patch cable from the Voice and Data board to one of the 4 ports on the Camera Hub board (Cat. No. VSHUB).

NOTE: Leviton recommends terminating Cat 5e camera cables to the 110 IDC block on a Voice and Data Board for long term reliability and to avoid wiring mistakes (Figure 2).



TROUBLESHOOTING:

No Video from camera RCA?

- Ensure camera board and Camera Hub board are powered. Green LED should be lit on each board.
- Plug RCA cable into monitor and set to composite video signal.

No Video at Camera Hub board?

- Verify all RJ-45 plugs are wired T568-A

Out of Focus (Indoor Camera with adjustable lens only)

- Remove wallplate cover and rotate lens until TV picture is clear. Remove wallplate cover and rotate lens until TV picture is clear.

CAMERA SPECIFICATIONS:

Camera Parameter	Value
Pick up device	1/3" CCD
Picture Elements H*V	NTSC 510*492
Camera Resolution	420 lines
Lens	3.6 mm
Sensitivity	0.05 Lux
S/N Ratio	> 48 dB (AGC off)
White Balance	Auto
Video Out	1Vpp, 75 Ohm
Auto Gain control	Auto
Camera Assembly Power Requirements	
Input Voltage	+15V DC +/- 10%.
Current Consumption	100 mA +/- 10%.
Power Consumption	< 2W max.

IMPORTANT INSTRUCTIONS

1. Read and understand all instructions. Follow all warnings and instructions marked on the product.
2. Do not use this product near water—e.g., near a tub, wash basin, kitchen sink or laundry tub, in a wet basement, or near a swimming pool.
3. Never push objects of any kind into this product through openings, as they may touch dangerous voltages.
4. SAVE THESE INSTRUCTIONS.

SAFETY INFORMATION

1. Never install communications wiring or components during a lightning storm.
2. Never install communications components in wet locations unless the components are designed specifically for use in wet locations.
3. Never touch uninsulated wires or terminals unless the wiring has been disconnected at the network interface.
4. Use caution when installing or modifying communications wiring or components.
5. To prevent electrical shock, each opening must be filled with a module.

LIMITED 2 YEAR WARRANTY AND EXCLUSIONS

Leviton warrants to the original consumer purchaser and not for the benefit of anyone else that this product at the time of its sale by Leviton is free of defects in materials and workmanship under normal and proper use for two years from the purchase date. Leviton's only obligation is to correct such defects by repair or replacement, at its option, if within such two year period the product is returned prepaid, with proof of purchase date, and a description of the problem to **Leviton Manufacturing Co., Inc., Attn: Quality Assurance Department, 59-25 Little Neck Parkway, Little Neck, New York 11362-2591**. This warranty excludes and there is disclaimed liability for labor for removal of this product or reinstallation. This warranty is void if this product is installed improperly or in an improper environment, overloaded, misused, opened, abused, or altered in any manner, or is not used under normal operating conditions or not in accordance with any labels or instructions. **There are no other or implied warranties of any kind, including merchantability and fitness for a particular purpose**, but if any implied warranty is required by the applicable jurisdiction, the duration of any such implied warranty, including merchantability and fitness for a particular purpose, is limited to two years. **Leviton is not liable for incidental, indirect, special, or consequential damages, including without limitation, damage to, or loss of use of, any equipment, lost sales or profits or delay or failure to perform this warranty obligation.** The remedies provided herein are the exclusive remedies under this warranty, whether based on contract, tort or otherwise.

For Technical Assistance Call:
1-800-824-3005 (U.S.A. Only)
www.leviton.com

LEVITON INSTRUCTION SHEET/MANUAL SPECIFICATIONS

- Artwork No/Rev Level: DI-000-VSOUT-00A
- Color(s): 1 over 1
 - 1. Black 2. _____
 - 3. _____ 4. _____
- Font Families: Helvetica
- Material
Type: 50 Lb. offset
- Coating: _____
- Paper size:
Overall size: 11" X 8.5"
Final fold size: 5.5" X 4.25"

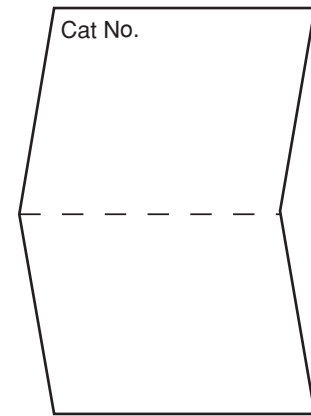
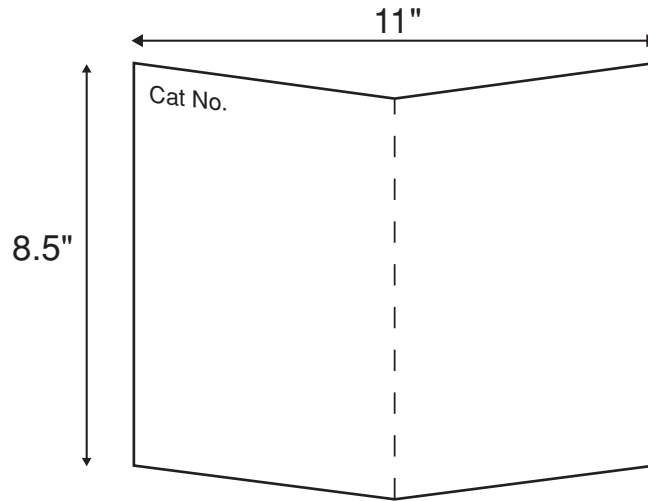
DOCUMENTATION

- ECO No.: N/A
- Artist: HSZ Date: 11/20/06

The information in this document is the exclusive PROPRIETARY property of LEVITON MANUFACTURING COMPANY, INC. It is disclosed with the understanding that acceptance or review by the recipient constitutes an undertaking by the recipient, (1) to hold this information in strict confidence, and (2) not to disclose, duplicate, copy, modify, or use the information for any purpose other than that for which disclosed.

Copyright © 1997 Leviton Mfg. Co. Inc.
Unpublished, All Rights Reserved

FOLD SCHEME



— — — — — Fold Line

