

Leviton Architectural Edition™
HOME ENTERTAINMENT SYSTEMS
powered by



AEN24



AES36

Leviton Architectural Edition™ powered by JBL Outdoor/All-Weather Loudspeakers

High-performance professional-quality speakers for outdoor and utility applications

As the brand delivering sound in more concerts venues than any other (including all three Woodstock festivals), JBL is extremely well qualified for premium outdoor sound reproduction in residential applications. This is especially critical with today's new homes, where the ability to entertain and relax outdoors - on the deck, patio or around the pool - is considered to be an essential selling feature of a home, making outdoor sound an essential amenity.

Because outdoor music is becoming so important, the Leviton Architectural Edition powered by JBL line offers two outdoor/utility speaker solutions. Each is based on a professional counterpart, and engineered to withstand long-term exposure to the elements while delivering full performance. Both are capable of bringing the listening experience normally associated with the living room to the great outdoors.

APPLICATIONS

These speakers can withstand direct exposure to the elements in outdoor applications because they are fully weatherized right down to their professional-grade grilles and input connectors just like their professional counterparts. The best results are achieved and long-term performance improved by mounting any outdoor speaker in a sheltered location, such as under an eave or overhang. They are also ideal for indoor pools, atriums and other large open spaces where enclosure speakers are desired and large-area coverage is needed.

The **AEN24 Outdoor/All-Weather Two-Way Loudspeaker** is a high performance speaker system with a weather-resistant ported bass-reflex enclosure. Use the AEN24 in any outdoor or utility application where the specifications call for sound quality and clarity from an exceptionally durable, flexible design.

The **AES36 Outdoor/All-Weather Three-Way Loudspeaker** is an "extreme performance" three-way sealed speaker, essentially a JBL professional-grade monitor in utility dress. The AES36 not only excels in any outdoor or utility application, but it is also ideal for use as a low-profile "designer" speaker in music and home theater installations (especially as a satellite with a powered subwoofer system). The AES36 is shielded for video use, making it exceptionally versatile.

FEATURES

All Outdoor/All Weather Loudspeakers

- Elliptical Oblate Spheroidal™ (EOS™) Waveguide technology for improved high-frequency dispersion
- Titanium-laminate (AEN24) or pure titanium (AES36) tweeter for maintaining musical accuracy and clarity even at frequency extremes
- WeatherPlas™ (polymer-coated cellulose fiber cone) woofers with rubber surrounds, high-temperature/oversized Kapton® voice coils, and HeatScape™ motor structures
- Low diffraction IsoPower™ baffles for optimum stereo imaging
- Straight-line Signal Path™ (SSP™) crossover networks for minimal signal distortion
- 5-way binding post input terminals for long-term connection integrity
- Mounting brackets (AEN24) and/or mounting hardware (AES36) included
- Sold in pairs

AEN24 Outdoor/All-Weather Two-Way Loudspeaker

- FreeFlow™ flared port
- Professional-grade injection-molded weather-resistant enclosure with metal-mesh grille

AES36 Outdoor/All-Weather Three-Way Loudspeaker

- Sealed enclosure, mirror-image design
- All-metal gold-plated binding posts

Leviton Mfg. Co., Inc.
59-25 Little Neck Pkwy • Little Neck, NY 11362-2591
Telephone: 1-800-323-8920 • Tech Line: 1-800-824-3005 • Fax: 1-800-832-9538

Visit our Website at: www.leviton.com/poweredbyJBL

Specification Bulletin

**Leviton Architectural Edition
powered by JBL Outdoor/
All-Weather Loudspeakers**

SPECIFICATIONS

AEN24 Outdoor/All-Weather Two-Way Loudspeaker

Driver complement:

- .75 in (19 mm) Titanium-laminate dome tweeter
- 4 in (100 mm) WeatherPlas™ (polymer-coated cellulose fiber cone) woofer with rubber surround, high-temperature/oversized Kapton® voice coil, and HeatScape™ motor structure

Frequency Response (-3dB): 75 Hz-20 kHz

Sensitivity (2.83V/1m): 86 dB

Power Handling: 100 Watts

Impedance: Nominal 8 Ohms

Physical Dimensions and Weight:

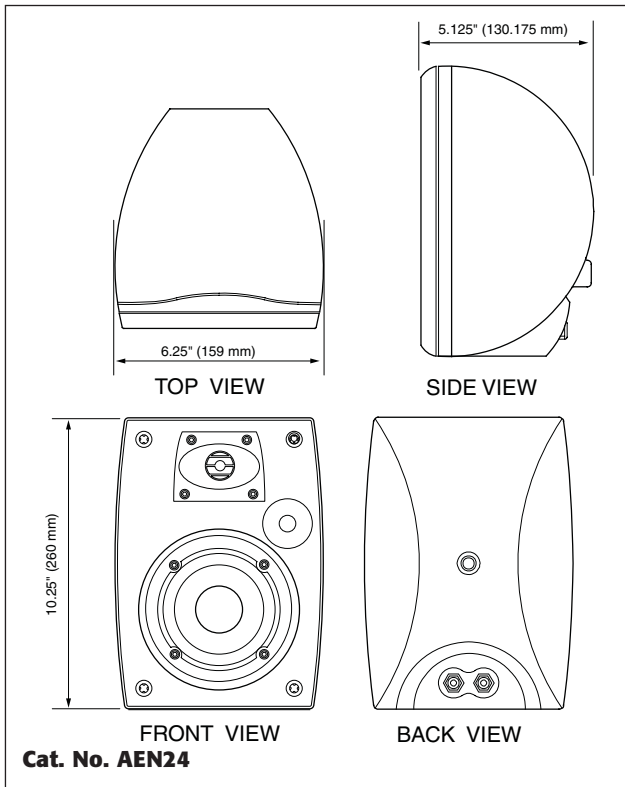
Height: 9.5 in (241 mm)

Width: 6.25 in (159 mm)

Depth: 4.75 in (121 mm)

Weight: 4.5 lb/2.1 kg per speaker

Sold in pairs



AES36 Outdoor/All-Weather Three-Way Loudspeaker

Driver Complement:

- 1 in (25 mm) Pure Titanium shielded dome tweeter
- 4 in (100 mm) WeatherPlas shielded midrange with Linear Field Proximity (LFP) bezel
- 6 in (150 mm) WeatherPlas™ (polymer-coated cellulose fiber cone) shielded woofer with rubber surround, high-temperature/oversized Kapton® voice coil, Symmetrical Field Geometry (SFG™) magnet design and cast aluminum basket

Frequency Response (-3dB): 60 Hz-20 kHz

Sensitivity (2.83V/1m): 90 dB

Power Handling: 150 Watts

Impedance: Nominal 8 Ohms

Physical Dimensions and Weight:

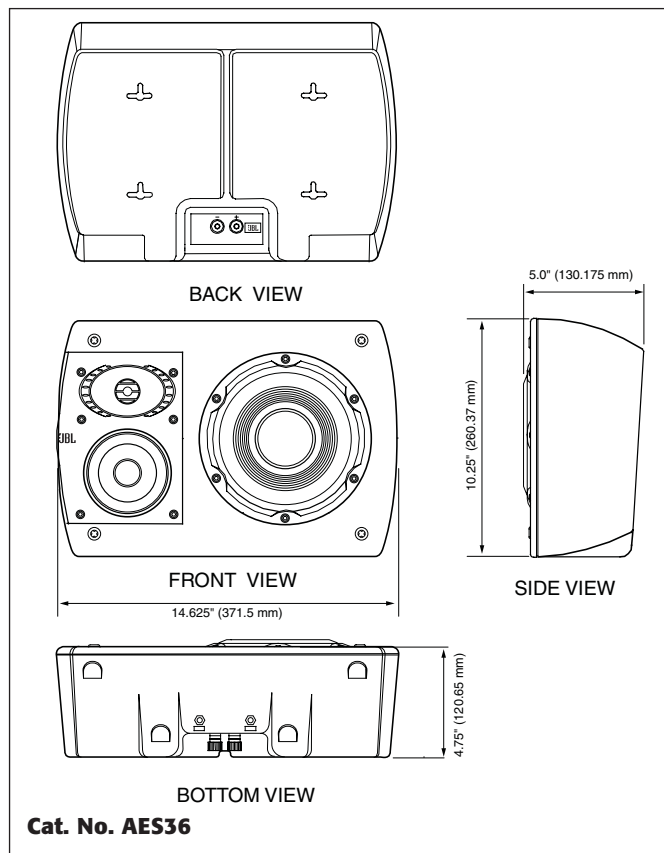
Height: 10.25 in (260 mm)

Width: 14.62 in (371 mm)

Depth: 5 in (127 mm)

Weight: 11 lb/5 kg per speaker

Sold in pairs



ORDERING INFORMATION

| CAT. NO. | DESCRIPTION |
|----------|---|
| AEN24 | Outdoor/All-Weather Two-Way Loudspeaker |
| AES36 | Outdoor/All-Weather Three-Way Loudspeaker |

Note: Features and Specifications subject to change

Straight-line Signal Path™ is a registered trademark of Harman International Industries, Incorporated.

PolyPlas™ is a registered trademark of Harman International Industries, Incorporated.

FreeFlow™ is a registered trademark of Harman International Industries, Incorporated.

IsoPower™ is a registered trademark of Harman International Industries, Incorporated.

Kapton® is a registered trademark of EI du Pont de Nemours and Company.

Elliptical Oblate Spheroidal™ is a registered trademark of Harman International Industries, Incorporated.

WeatherPlas™ is a registered trademark of Harman International Industries, Incorporated.



Leviton Mfg. Co., Inc.

59-25 Little Neck Pkwy • Little Neck, NY 11362-2591

Telephone: 1-800-323-8920 • Tech Line: 1-800-824-3005 • Fax: 1-800-832-9538

Visit our Website at: www.leviton.com/poweredbyJBL

B-1176/C6-tp

