

# INSTRUCTIONS



## A1260

## A1260R

### 12 Channel Audio Amplifier

**ARIA**  
BY  CHANNEL VISION™

©2005 CHANNEL VISION TECHNOLOGY

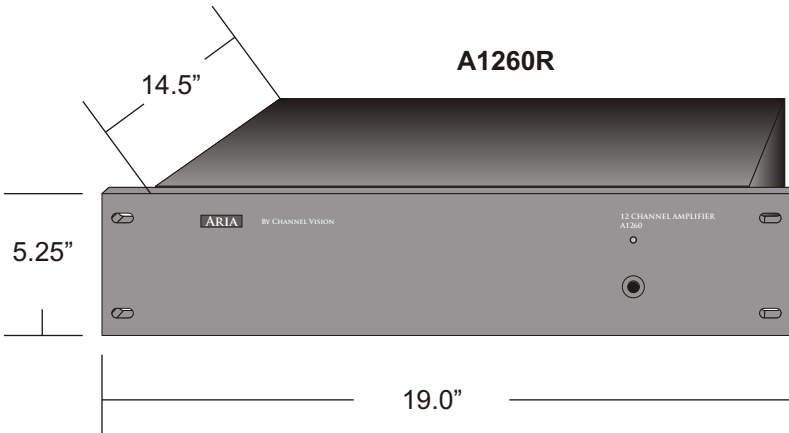
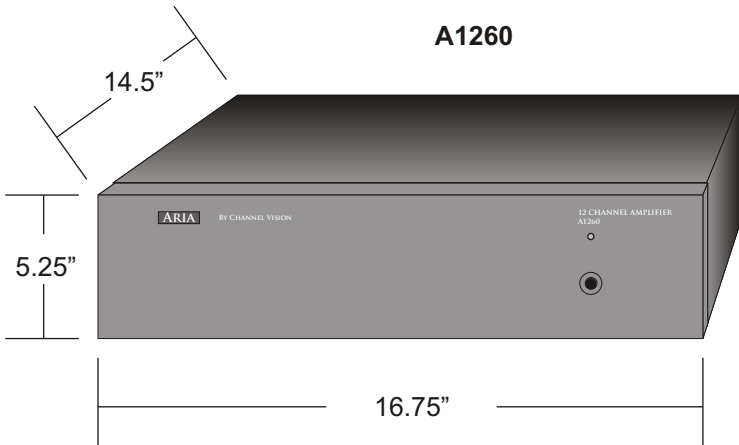
The **A1260** is a 12-channel (6-zone) audio amplifier designed for whole house music applications. It can supply up to six pairs of speakers with enough power to ensure high-quality audio in every listening area. The rack mount version (model A1260R) is available for installations in 19" equipment racks.

**Features:**

- Audio-sensing inputs
- Input selector allows either global or zone input
- Low power consumption when no audio is present
- Cost effective and easy to install

**Dimensions:**

Note: these dimension do not include the rubber feet on the bottom of the unit or the connectors which protrude from the rear of the unit. The rubber feet will add 0.25 inches to the height and the connectors (without wires attached) will add 0.5 inches to the depth.



## IMPORTANT SAFETY INSTRUCTIONS

1. Read these instructions.
2. Keep these instructions for future reference
3. Heed all warnings.
4. Follow all instructions.
5. Do not use this device near water.
6. Clean only with a dry cloth.
- 7 Do not block any ventilation openings. Install in accordance with these instructions.
8. Do not install near any heat sources such as radiators, heat registers, stoves, or other apparatus (including amplifiers) that produce heat. When installing multiple amplifiers in the same rack, provide space for air circulation above and below each unit.
9. Do not defeat the safety purpose of the polarized or grounding-type plug. A polarized plug, has two blades with one wider than the other. A grounding type plug has two blades and a third grounding prong. the wide blade or the third prong are provided fro your safety. If the provided plug does not fit into your outlet, consult an electrician for replacement of the obsolete outlet..
10. Protect the power cord from being walked on or pinched particularly at plugs, convenience receptacles, and the point where the exit from the apparatus.
11. Only use attachments/accessories specified by Channel Vision.
12. Use only with the cart, stand, tripod, bracket, or table specified by the manufacturer, or sold with the apparatus. When a cart is used, use caution when moving the cart/apparatus combination to avoid injury from tip-over.
13. Unplug this apparatus during lightning storms or when unused for long periods of time.
14. Refer all servicing to qualified service personnel. Servicing is required when the apparatus has been damaged in any way, such as power supply cord or plug is damaged, liquid has been spilled or objects have fallen into the apparatus, the apparatus has been exposed to rain or moisture, does not operate normally, or has been dropped.

15.



**CAUTION:** To reduce the risk of electric shock, do not remove the cover (or back), no user-serviceable parts inside, refer servicing to qualified service personnel.

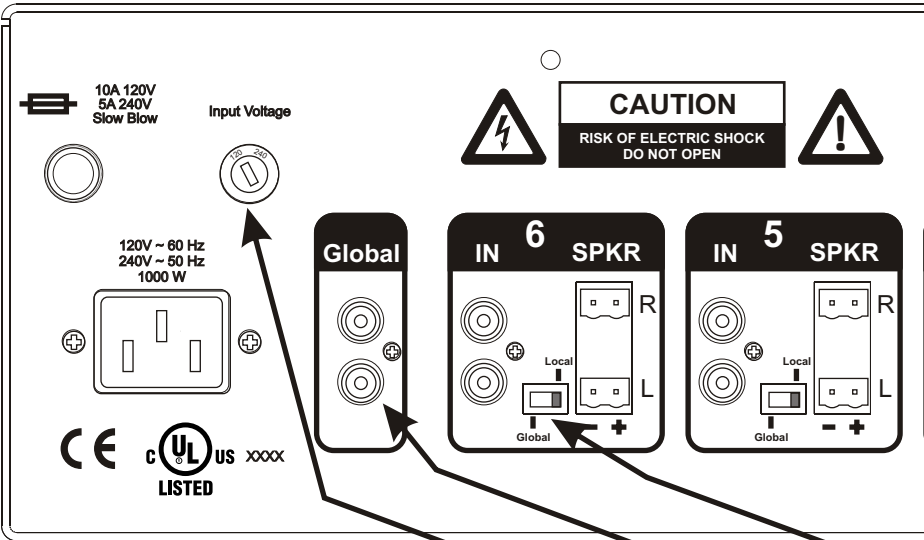


The lightning flash with an arrowhead symbol within an equilateral triangle is intended to alert the user to the presence of uninsulated dangerous voltage within the product's enclosure that may be of sufficient magnitude to constitute a risk of electric shock to persons.



The exclamation point within an equilateral triangle is intended to alert the user to the presence of important operating and maintenance accompanying the appliance.

16. Apparatus shall not be exposed to dripping or splashing and objects filled with liquids, such as vases, shall not be placed on the apparatus.



## A1260



The A1260 is a 12 channel audio amplifier designed for whole-house audio systems. The amplifier is organized into 6 stereo pairs. Each pair may be driven with a system wide signal, or its own input.

Each of the 12 channels will turn on automatically at the presence of an audio signal and will turn off when the audio signal is gone.

The A1260 is available in a rack mount version, A1260R.

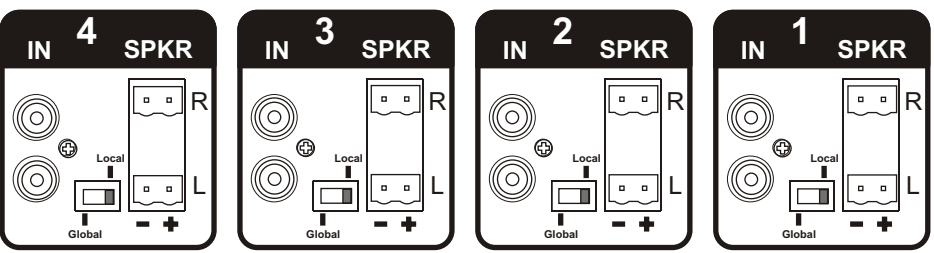
The A1260 is intended to be constantly on. Power consumption during times of no audio is less than 30 watts.

# ear Panel

**Warning:**

To prevent fire or shock hazard do not expose this unit to rain or moisture.

ARIA by CHANNEL VISION  
Model A1260 12 Channel Amplifier



USE CLASS 2 WIRING FOR SPEAKER OUTPUTS

Made in China

- Each zone may be switched between the global input and the local input.
- Sources connected to Global input can be heard in all 6 zones.
- 110-120 or 220-240 operation
- Each channel has independent turn-on sensors.
- Torroidal power transformer with 4 secondaries to maximize separation.
- Computer-grade components throughout to ensure long-life.
- Turn on time <500msec Turn off time ~ 30-100 seconds
- Ideal companion to A4600 Matrix A/V controller

## A1260R



# Creating a System

The A1260 provides plenty of power to create a great whole-house system, but it does not provide source selection and volume control. Therefore, a matrix controller, such as the A4601, is needed to unlock the full potential of the A1260.



**The A4601/A4601R...** is a 4 input 6 output matrix A/V controller designed for whole-house audio systems.

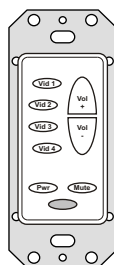
The unit is organized into 4 audio/video inputs and 6 audio/video outputs. The A4601 is intended to be used with a multichannel audio amplifier, such as the A1260.

Any of the 4 source inputs can be selected and routed to any of the 6 outputs (or zones) independent of the other zones through the use of an IR repeating keypad (such as the A0127- Sold separately).

The A4601R is equipped with a rack mount faceplate to allow installations in a standard 19" equipment rack.

**Control of the A4601...** is accomplished through the use of an IR repeating device, such as the A0127 keypad. The A0127 already contains the IR codes necessary to operate the A4601, but you may also use a standard IR receiver or a 3rd party keypad. When using a simple IR receiver, you will need to program a learning remote control with the IR codes for the A4601. These codes can be downloaded from [www.channelvision.com](http://www.channelvision.com), or learned from an A0127.

A0127

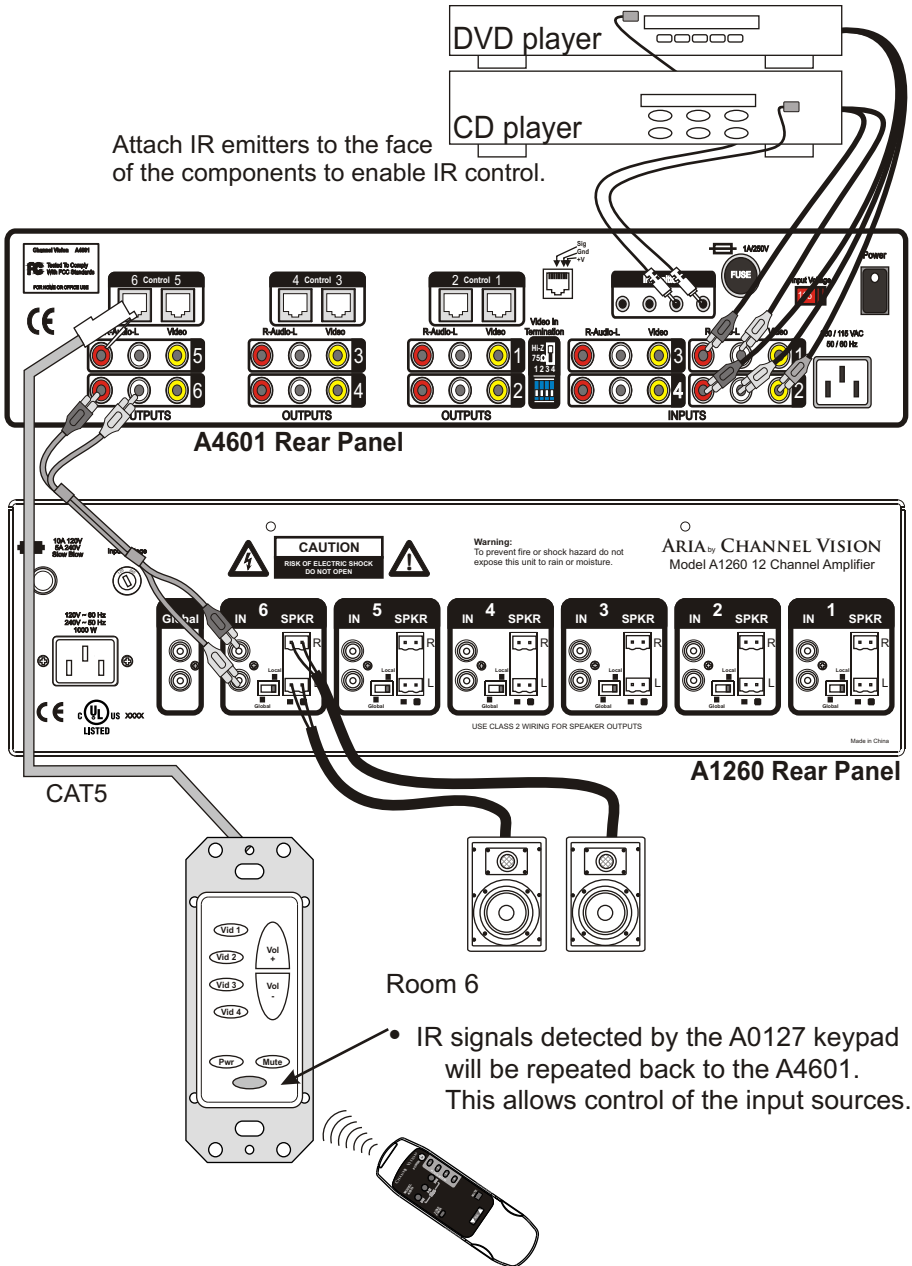


IR-2202



# Sample Wiring Diagram: Using the A4601 & A1260 together

Attach IR emitters to the face of the components to enable IR control.



IR signals detected by the A0127 keypad will be repeated back to the A4601. This allows control of the input sources.

**Specifications:** (typical @25° C)

<b>Output Frequency Range:</b>	20-20kHz
<b>Output Load Range:</b>	8-16 ohms
<b>Output Level:</b>	60 W/ch 8ohms (2 ch. driven)
<b>Audio sense on delay:</b>	< 500msec
<b>Audio sense off delay:</b>	~ 30-100 seconds
<b>THD:</b>	< 0.05%
<b>Power Consumption:</b>	< 30 W (no input)
<b>Operating Temperature:</b>	-10°C to +35°C
<b>AC fuse:</b>	10A Slo-blo 5x20mm

Specifications subject to change without notice.

## CHANNEL VISION Limited Warranty

Channel Vision Technology will repair or replace any defect in material or workmanship which occurs during normal use of this product with new or rebuilt parts, free of charge in the USA, for two years from the date of original purchase. This is a no hassle warranty with no mail in warranty card needed. This warranty does not cover damages in shipment, failures caused by other products not supplied by Channel Vision Technology, or failures due to accident, misuse, abuse, or alteration of the equipment. This warranty is extended only to the original purchaser, and a purchase receipt, invoice, or other proof of original purchase date will be required before warranty repairs are provided.

Mail in service can be obtained during the warranty period by calling (800) 840-0288 toll free. A Return Authorization number must be obtained in advance and can be marked on the outside of the shipping carton.

This warranty gives you specific legal rights and you may have other rights (which vary from state to state). If a problem with this product develops during or after the warranty period, please contact Channel Vision Technology, your dealer or any factory-authorized service center.