



imagine[®]



**V
A
L
U
E
P
R
I
C
E
D**

Imagine engineers were given the challenge to design an impedance protection volume control with all the latest features that costs less than anything on the market. They succeeded and created the value-priced, impedance protected, new industry standard VC-5STD stereo volume control.

The Imagine VC-5STD is designed with proprietary autoformers and the highest quality components to reliably deliver smooth superior performance, excellent frequency response and maximum power transfer. Each volume control is visually inspected and 100% electrically tested at our factory to guarantee uniform precision and audio accuracy.

The VC-5STD *automatically* protects the amplifier, using built-in impedance limiting, for worry free protection today ... and tomorrow. More listening rooms can be added without the need to reconfigure the existing system. Multiple VC-5STD volume controls and loudspeakers, up to 32 speaker pairs, can be connected to the amplifier without the need for separate impedance matching devices. (Please refer to the Automatic Impedance Protection Chart for details.)

Operating the VC-5STD will confirm our attention to detail. The low profile knob turns easily and each switch position changes volume levels smoothly without abruptness. A mixture of subtle 1.5dB and 3dB volume steps allow for maximum room control.

The Value-priced VC-5STD, when installed, has the same look, feel and sound of our more expensive units. Superior fit and finish along with an understated control knob design is all part of the Imagine experience. Select Decora™ or standard wall plates in either white or ivory.

50 WATT STEREO VOLUME CONTROL

PRODUCT FEATURES:

- Automatic Impedance Protection (no adjustments)
- Connect up to 32 speaker pairs
- Handles 150 Watts Music Power
- 1.5 dB and 3 dB steps for maximum room control
- Smooth 10-position soft detent switch for easy accurate level adjustments, includes Off
- Connector accepts 14 gauge speaker wire
- Low profile easy to grip knob
- Superior materials with robust construction
- Include our matching ABS Wall Plate

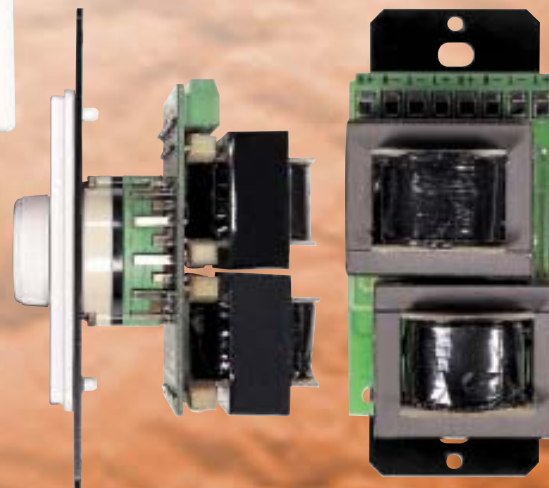
PRODUCT SPECIFICATION:

- Input Power: 50 Watts RMS continuous (8 ohms)
- Frequency response: 35 Hz - 20 kHz, +0 dB - 2 dB
- Insertion loss: 0.5 dB
(obtained with superior quality autoformers)
- Isolation: Left and right channels are completely isolated
- Attenuation: Position 1 = off; Positions 2-5 = 1.5 dB, Positions 6-10 = 3.0 dB, Total attenuation = 25.5 dB
- Mounts in any standard electrical box or P-ring
- Approximate shipping weight: 1 Lb



VC-5STD

WITH AUTOMATIC IMPEDANCE PROTECTION





Imagine

INSTALLATION INSTRUCTIONS

VC-5STD

50 WATT STEREO VOLUME CONTROL
WITH AUTOMATIC IMPEDANCE PROTECTION

MOUNTING REQUIREMENTS:

This unit is wall mounted and can be installed in any standard electrical box or P-ring. Mount the device at the same height as installed light switches for best appearance.

PREWIRE RECOMMENDATIONS:

For most applications we recommend 12 to 14 gauge stranded copper speaker wire. When running speaker wire inside walls most states and municipalities specify that you must use a special type of speaker wire that is fire rated such as CL-2 or CL-3.

In order to avoid noise, interference and code violations never install low voltage devices inside or near 115-Vac wiring. When running speaker cables stay a minimum of 1 foot away from 115-Vac and telephone lines. You may install a volume control with other low voltage devices such as an IR repeater.

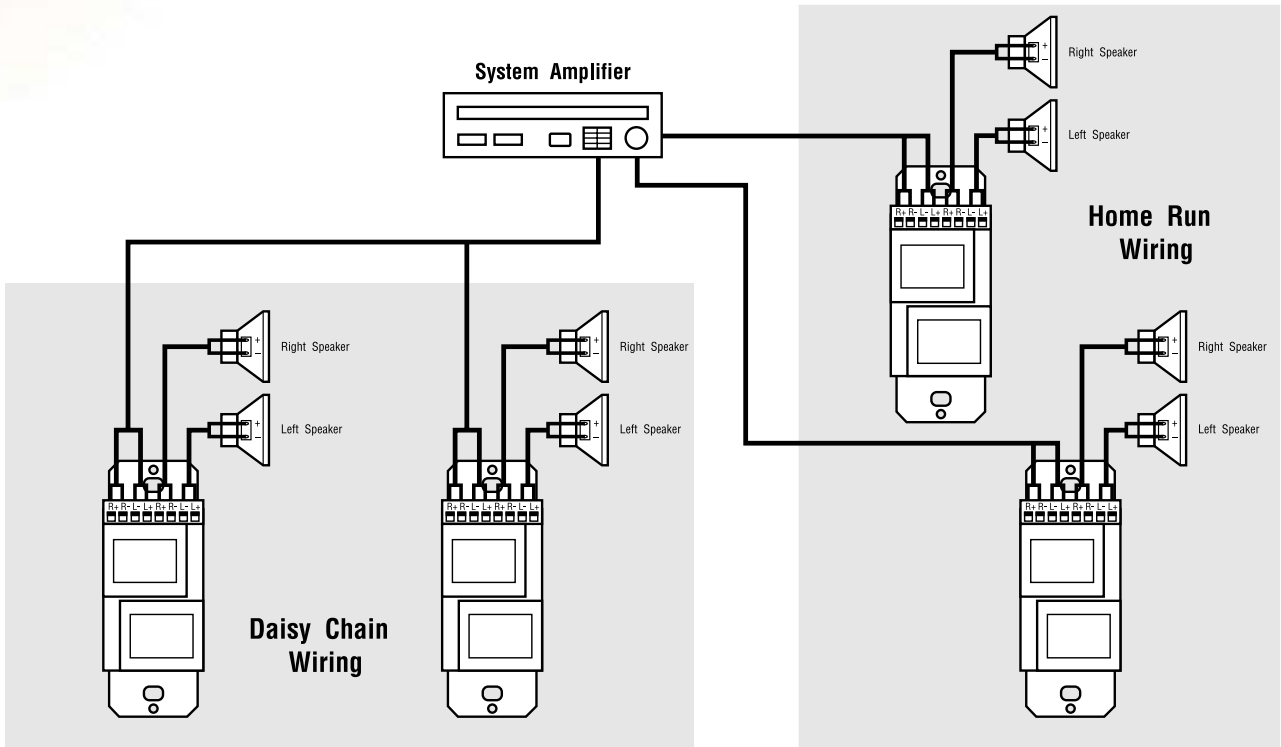
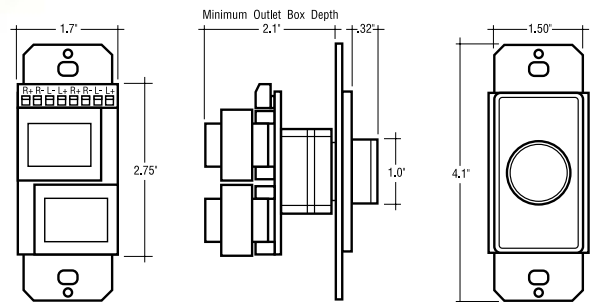
Multiple Imagine volume controls can be installed using home run wiring or daisy chain wiring. We recommend the home run wiring method in case changes or enhancements are required in the future.

ROOM PLACEMENT:

The volume control should be easily accessible and convenient for the homeowner to operate the system. We recommend mounting the device for easy access near room entries or work areas.

AUTOMATIC IMPEDANCE PROTECTION CHART

Amplifier Impedance	8-0HM Speakers	4-0HM Speakers
8-0HM Output	4 Pairs	2 Pairs
4-0HM Output	8 Pairs	4 Pairs
2-0HM Output	16 Pairs	8 Pairs
1-0HM Output	32 Pairs	16 Pairs



BUFFALO
ELECTRONICS, INC.

[http:// www.buffaloelectronics.com](http://www.buffaloelectronics.com)

Imagine® is a registered trademark of Buffalo Electronics, Inc.

Sales, Distribution & Support

1001-D West Tremont Ave.
Charlotte, NC 28203

Orders: (888) 822-2410

Phone: (704) 375-3445

Fax: (888) 453-0538

Engineering & Manufacturing

5/11 Moo 1, Soi Phetkasaem 63,
Laksong, Bangkok,

Bangkok 10160, Thailand

Phone: 011-662-801-7608

Fax: 011-662-801-7609

REV.B1.STD

