

SCM-1

suspended ceiling mount

Product Features:

for use with 2' x 2' or 2' x 4' ceiling tiles

can be used with VMP ceiling masts or standard 1.5" NPT pipe

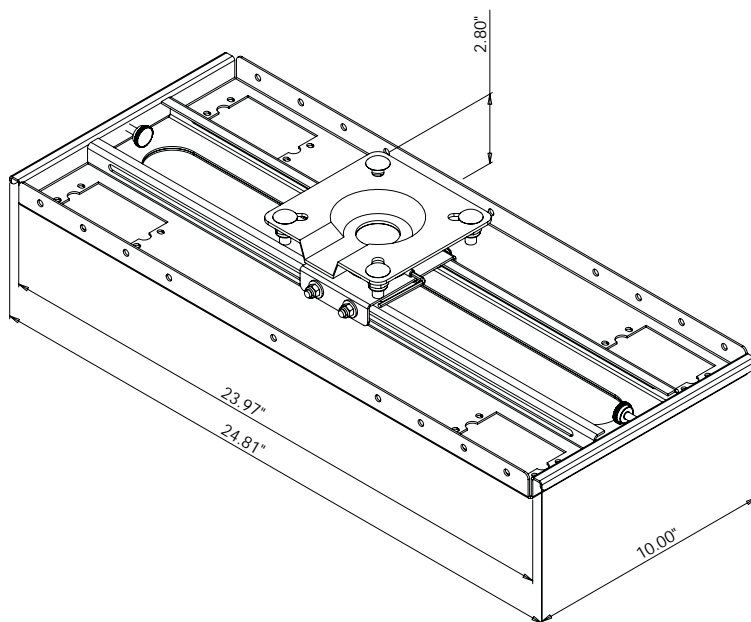
includes 20 ft of tie wire & 4 standard electrical KOs

load capacity 75lbs

Product Specifications:

(For Architects & Engineers)

The suspended ceiling kit for ceiling mounts shall be the Video Mount Products (VMP) model SCM-1. The suspended ceiling kit shall be primarily constructed of formed steel and include spot welds. The suspended ceiling kit shall include tie wire and hardware to attach the tie wire to the most common surfaces above suspended ceilings. The suspended ceiling kit shall be able to accommodate 1.5" NPT as well as any VMP ceiling mast with in its weight capacity. The suspended ceiling kit shall have 4 locations for electrical junction boxes and have the capability to have the ceiling mount positioned anywhere along the full length of the tray. The load capacity shall be 75 lbs.



Video Mount Products

325 Log Canoe Circle

Stevensville, MD 21666

Phone: 410.643.6390

Fax: 410.643.6615

www.videomount.com

