

vizia rf +™

Plug-in Modules



VRP03-1LW



VRP15-1LW



VRCOP-1LW

Join a revolution in the home automation industry with Vizia RF + wireless lighting and home control technology. Innovative and affordable, with features that are desired by professional installers and appreciated by homeowners, Vizia RF + helps reduce energy consumption. It provides dramatic scene transitions, extended zone lighting controls, industry standard 2-way status updating and true integration of household electrical devices. Use it to enhance new construction or to add value to older homes, condominiums and apartments.

The Vizia RF + Wireless Home Control System offers scalable, easy-to-install, remote control of appliances and lighting, as well as one-button scene and zone (area) lighting control to create the perfect ambiance. And, unlike previous home control systems, Vizia RF + does all of this without experiencing interference or inconsistent performance.

APPLICATIONS

The Vizia RF + Scene Capable Plug-in Lamp Dimming Module (VRP03-1LW) is ideal for any residential setting where remote dimming of Incandescent loads up to 300 Watts is needed. Typical applications include dimming of table and floor lamps. The Vizia RF + Scene Capable Plug-in Lamp Module also allows users to remotely control free-standing lamps individually or as part of a scene or zone grouping of lights through scene commands.

The Vizia RF + Scene Capable Plug-in Appliance Module (VRP15-1LW) is ideal for any residential setting where remote ON/OFF switching of appliances, motor loads up to 1/2 HP, or freestanding lights, including Incandescent, Magnetic Low Voltage, Fluorescent and Compact Fluorescent loads is needed. Typical applications include switching of fluorescent lamps, portable fans, kitchen appliances, indoor fountains and more. The Vizia RF + Scene Capable Plug-in Appliance Module also allows users to incorporate small appliances into scene and zone home control applications.

The Vizia RF + Plug-in Serial Interface Module RS232 (VRCOP-1LW) is ideal for any residential application where a serial interface is required to integrate with other control systems. This is accomplished through a RS232 connection with a PC based application used to configure a home automation system. This is ASCII based and requires a high level of programming skill.

Leviton Mfg. Co., Inc.

FEATURES AND BENEFITS

- Transient surge protection to IEC Level 4
- ESD protection to IEC 1000 4-2 Level 4 to protect against damage
- Indoor use
- Wireless communication between installed devices in system
- Green LED locator
- Z-Wave® compatible

Plug-in Lamp Dimming Module

- Load Sensing feature allows lamp to be turned ON manually using the lamp's switch or the integrated ON/OFF button
- Provides polarized 300W-120VAC NEMA 5-15R grounding receptacle for use with incandescent lamps
- Provides manual ON/OFF/DIM/BRIGHT switching of Incandescent load
- Provides ON/OFF scene and zone control compatibility
- 2-way status updates
- Protected memory maintains ON/OFF status of loads and during minor power fluctuations
- Button for manual control and dimming

Plug-in Appliance Module

- Provides 15A, 120 VAC NEMA 5-15R grounding receptacle for use with a wide variety of lamps and appliances
- Provides manual ON/OFF switching of plug-in load
- Scene and zone control integration
- 2-way status updates
- Protected memory maintains ON/OFF status of loads and during minor power fluctuations
- Button for ON/OFF manual control
- Quiet relay switching

Plug-in Serial Interface Module RS232**ASCII Interface**

- Provides RJ11 to DB9 or RJ11 to RJ11 connector for RS232 or selected HAI® component connection
- Rated 120 VAC 60Hz
- 2-way communication between related Controller(s) and Module for changes initiated locally
- Protected memory maintains device ID programming during minor power fluctuations
- Includes serial cable

SPECIFICATIONS

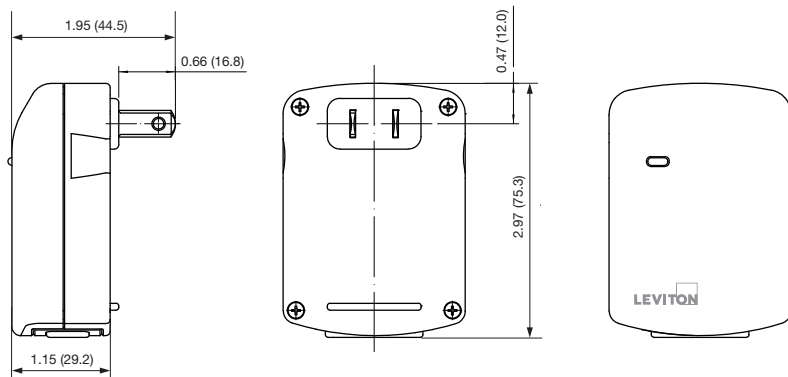
- Operating Temperature: 0°F to 55°C
- Non-Operating: -10°C to 85°C
- Relative humidity: 20% to 90% (non-condensing)

Leviton Mfg. Co., Inc.

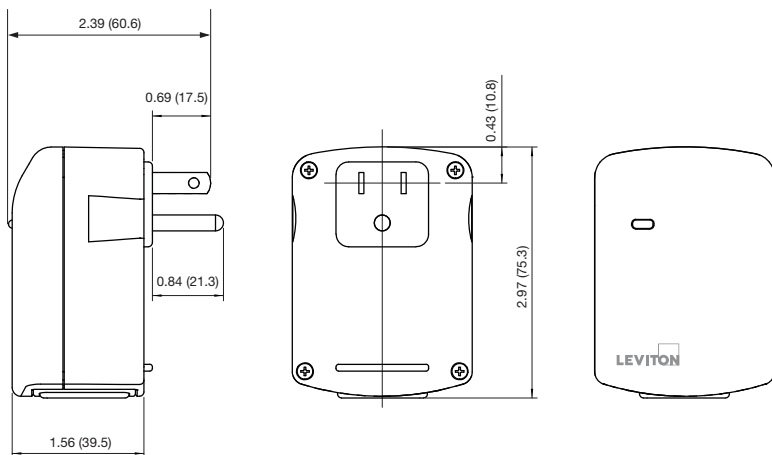
59-25 Little Neck Pkwy, Little Neck, NY 11362-2591 Tech Line: 1-800-824-3005 Fax: 1-800-832-9538 www.leviton.com
 © 2008 Leviton Manufacturing Co., Inc. All rights reserved. Subject to change without notice.

DIMENSIONAL DRAWINGS

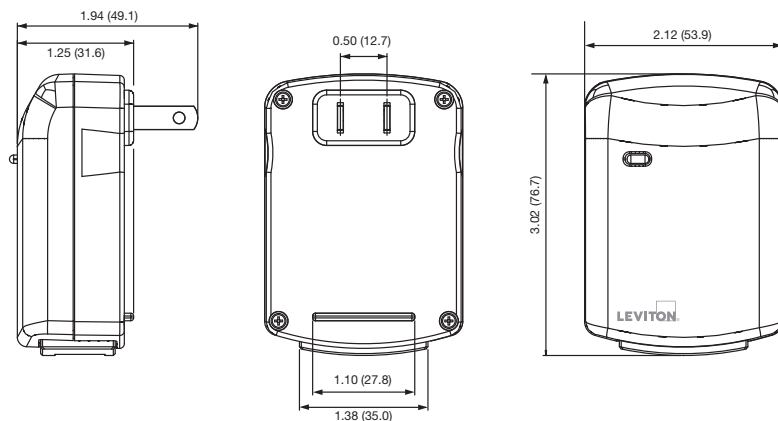
VRP03-1LW



VRP15-1LW



VRC0P-1LW



Leviton Mfg. Co., Inc.

59-25 Little Neck Pkwy, Little Neck, NY 11362-2591 Tech Line: 1-800-824-3005 Fax: 1-800-832-9538 www.leviton.com
 © 2008 Leviton Manufacturing Co., Inc. All rights reserved. Subject to change without notice.

AGENCY STANDARDS AND COMPLIANCE

- Complies with FCC Part 15, Class B
- UL Listed (E66800)
- NOM Certified (#057)
- CSA Certified (File #152105)
- UL Listed (File #898F)
- Z-Wave® Certified

INSTALLATION CONSIDERATIONS

A Z-Wave enabled device must be within 75 feet (open air) of another Z-Wave enabled device to participate in a Z-Wave wireless mesh network. Any one switch can be associated with no more than 5 Controller devices. Each ON/OFF button on a RF + Controller can be associated with up to 32 select Z-Wave compatible devices in a system area.

WARRANTY INFORMATION

- Limited Five-Year Warranty

PROGRAMMING

- See instruction manual included with product for programming information
- Vizia RF + system guide is a resource available for download at viziarfplus.com/documents
- For ASCII interface code documentation visit viziarfplus.com/documents

ORDERING INFORMATION

DESCRIPTION	CAT NO	RATING	COLOR
Vizia RF + Plug-in Incandescent Lamp Module	VRP03-1LW	120VAC 60Hz Incandescent, 300W, 2.5A	White
Vizia RF + Plug-in Appliance Module	VRP15-1LW	120VAC 60Hz Resistive, 1800W, 15A Incandescent, 1800W, 15A Fluorescent, 1800W, 15A Inductive, 1800VA, 15A Motor, 1/2HP, 9.8A	White
Vizia RF + Plug-in Serial Interface Module RS232 ASCII Interface	VRCOP-1LW	120VAC 60Hz	White

The Vizia +™ products are covered by one or more of the following patents: US D531,137; US D563,326; US D563; US 6,388,399; CA 116,616; other U.S. and foreign patents pending.
 Vizia RF + is a trademark of Leviton Manufacturing Co., Inc.
 Z-Wave is a registered trademark of Zensys Corporation.
 HAI is a registered trademark of Home Automation, Inc.

Leviton Manufacturing Co., Inc.

59-25 Little Neck Pkwy, Little Neck, NY 11362-2591 • Tech Line: 1-800-824-3005 • Fax: 1-800-832-9538 • www.leviton.com

Leviton Manufacturing of Canada, Ltd.

165 Hymus Boulevard, Pointe Claire, Quebec H9R 1E9 • Telephone: 1-800-469-7890 • FAX: 1-800-563-1853

Leviton S. de R.L. de C.V.

Lago Tana 43, Mexico DF, Mexico CP 11290 • Tel. (+52) 55-5082-1040 • FAX: (+52) 5386-1797 • www.leviton.com.mx

Visit our Website at: www.leviton.com

© 2008 Leviton Manufacturing Co., Inc. All rights reserved. Features and specifications subject to change. Patents Pending.