

DHC ALL LIGHTS ON/ALL UNITS OFF Wall Mounted Switch Controller.

APPLICATION

- Fits in standard wallboxes and replaces regular switches to provide remote "All ON/OFF" functionality for all receivers set to the same House Code (letter code) as this transmitter.

Note: HXCIA-1TW does not control a load.

Note: Some types of receivers do not respond to ALL LIGHTS ON command.

- Can be installed as a "Panic" switch so that the homeowner can use ALL LIGHTS ON control to deter intruders or signal neighbors in emergencies.

Leviton's HXC1A-1TW utilizes proven Power Line Carrier (PLC) technology to control any manufacturer's PLC power-handling device that complies with the X-10 communications protocol guidelines.

These devices include, but are not necessarily limited to:

- In-wall dimmers
- In-wall switches
- Plug-in dimmers
- Fixture dimming modules
- Fixture relay modules

FEATURES AND BENEFITS

- Controls Leviton's DHC devices as well as any other manufacturer's X-10 protocol compliant devices.
- Utilizes existing 60Hz 120V AC house wiring for "No New Wires" installation, when neutral wire is present in existing boxes.
- Leviton's patented Intellisense™ Technology greatly improves reliability and reduces false responses compared to other manufacturers' products by virtually eliminating signal problems due to noise.



Cat. No. HXC1A-1TW

- Green LED illuminates to indicate ALL LIGHTS ON command sent.
- Features Leviton's classic Decora style rocker to blend seamlessly with other Decora devices
- Color change kits allow fast color changeovers. Devices ship in White only. See chart for Color Change Kits (must be purchased separately).
- May be used to control lights and loads remotely.
- Compatible with Decora screwless and Decora standard designer wallplates.

LEVITON SPECIFICATION SUBMITTAL

JOB NAME: <input type="text"/>	CATALOG NUMBERS: <input type="text"/>	
JOB NUMBER: <input type="text"/>	<input type="text"/>	<input type="text"/>

Product Specifications

HXC1A-1TW

TYPICAL SPECIFICATION

The ALL LIGHTS ON/ALL UNITS OFF controller controls all properly addressed PLC devices that are X-10 compliant and of the appropriate type via 120 KHz signals transmitted over 120VAC, 60Hz power lines. It features Leviton's Intellisense™ Technology (gated automatic gain control).

It utilizes a green LED that illuminates to indicate ALL LIGHTS ON command sent. It features Leviton's classic Decora styling to blend seamlessly with other Decora devices. It is compatible with Decora screwless and standard designer wallplates. It has available color change kits in White, Ivory and Almond.

STANDARDS COMPLIANCE

Meets all applicable standards:

Standard and Extended X-10 Code Format document (XTC798)

UL Listed (File #E-66800)

CSA Certified (File #LR-54628)

UL 244A tested.

SPECIFICATIONS

Dimensions: 4.11" H x 2.38" W x 1.38" D

Rating: 120VAC, 60Hz

Power Consumption: 3W

Output Frequency: 120 KHz

INSTALLATION CONSIDERATION

- Cat. No. HCA02-10E coupler/repeater must be installed in every DHC installation to insure maximum signal strength.
- Maximum of 4 "transmit-capable" devices (controllers, programmers and 2-way receivers) should be installed on a single branch circuit.

COMMUNICATION

Transmit:

- ALL LIGHTS ON – when top of rocker is pressed, sends command to all lights with same house code as controller/transmitter.
- ALL UNITS OFF – when bottom of rocker is pressed, sends command to all units with same house code as controller/transmitter.

Receives:

None

COLOR CHANGE KIT ORDERING INFORMATION

Ivory	DRKOS-OLI
White	DRKOS-OLW
Almond	DRKOS-OLA
Grey	DRKOS-OLG
Black	DRKOS-OLE

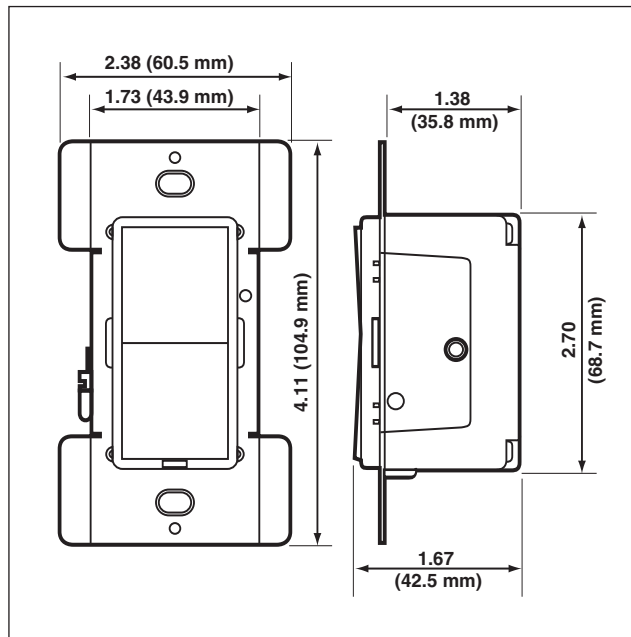
PROGRAMMING

Unit requires that a Base address be set using simple programming controls located behind the easily removed color change kit. This base address, consisting of both House Code and Unit Code, determines the address (or addresses) that the transmitter can control. Default address is A1.

WARRANTY INFORMATION

Two year limited product warranty.

DIMENSIONAL DRAWING



LEVITON SPECIFICATION SUBMITTAL

JOB NAME: <input type="text"/>	CATALOG NUMBERS: <input type="text"/>	
JOB NUMBER: <input type="text"/>	<input type="text"/>	<input type="text"/>