

www.GESecurity.com

KTC-240CCE

High Performance EXview Color Legacy Camera

Overview

The KTC-240CCE is a high resolution color camera that offers 480 TV lines of resolution, high sensitivity (0.02 lux) and advanced digital signal processing. The KTC-240CCE incorporates EXview™ technology for low-light performance and excellent infrared response. The KTC-240CCE accepts both C- and CS-mount lenses. Its automatic backlight compensation prevents important foreground objects from becoming silhouetted against bright backgrounds.

Outstanding Features

The camera includes a variable high-speed electronic shutter that compensates for conditions ranging from bright sunlight to low-light environments. The KTC-240CCE is compatible with AES and DC autoiris lenses.

The KTC-240CCE has advanced digital auto-tracking white balance (ATW) that provides accurate color rendition even under the most adverse lighting conditions.

The KTC-240CCE includes a 24 VAC input. The camera is easy to set up, easy to use, and is compatible with all GE Security low-cost domes.



Standard Features

- **EXview CCD**
- **480 TV lines of resolution**
- **0.02 lux sensitivity**
- **Digital automatic backlight compensation**
- **Advanced digital signal processing**
- **Digital, horizontal, and vertical aperture correction**
- **Advanced digital auto-tracking white balance**
- **Accepts AES and DC autoiris lenses**
- **24 VAC**
- **AC line-lock**



KTC-240CCE

High Performance EXview Color Legacy Camera

Specifications

Image sensor

- 1/3 in interline transfer, EXview HAD CCD

Signal system

- NTSC standard, PAL optional

Picture elements

- 811 H x 508 V (NTSC), 795 H x 596 V (PAL)

Scanning system

- 525/60 lines (NTSC), 625/50 lines (PAL)

Synchronizing system

- Internal

Resolution

- 480 TVL

Sensitivity

- 0.02 lux @ f1.2 (normal AGC), 0 lux visible light under IR illumination (730 – 1100 NM)

Signal-to-noise ratio

- > 50 dB

Electronic shutter

- 1/60 to 1/100,000 sec, automatic

ATW color balance

- Standard range of 2500 to 9500 K

Fixed color balance

- Conventional white balance

Auto backlight compensation

- Off/on

Video output composite

- 1.0 V pk-pk at 75 ohm load

Autoiris lens

- Accepts AES and DC autoiris lens

Lens mount

- C and CS mount

Operating temperature

- -4° to 122° F (-20° to 50° C)

Power source

- 24 VAC

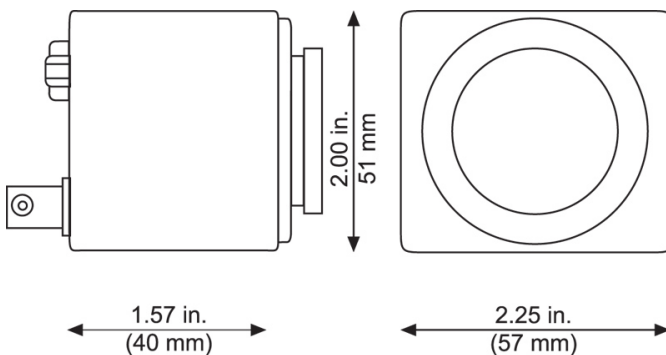
Power consumption

- 2.0 W

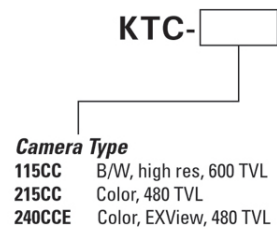
Weight

- 7.8 oz (221 g)

Related Diagram



Ordering Information



GE Security

Mailing Address
4575 Research Way, STE 250
Corvallis, OR 97333 USA
www.GESecurity.com

Americas
800-469-1676 (US only)
tel 541-754-9133
fax 541-754-7162

Asia
tel 852-2907-8108
fax 852-2142-5063
Australia
tel 61-3-9259-4700
fax 61-3-9259-4799

Europe
tel 32-2-725-11-20
fax 32-2-721-86-13
Latin America
tel 305-267-4301
fax 305-267-4300

www.GESecurity.com