

DHC Seven-Scene Dimming Wall Switch Controller

APPLICATION

- Fits in standard wallboxes and replaces regular switches.
Note: HXC7S-1TW does not control a load.
- Each of seven SCENE buttons transmits ON commands to predetermined levels to 12 sequential addresses in the same letter code group as this controller. Note: 12-address sequence continues at unit address 1 if 16 is reached before all 12 sequential addresses are completed.
- One set of SCENE DIM/BRIGHT buttons transmit SCENE DIM/BRIGHT commands to the most recently selected scene.
- One OFF button transmits OFF command to the most recently selected scene.
- May be used with all Leviton scene-capable receivers.

FEATURES AND BENEFITS

- Controls Leviton's scene capable DHC receivers.
- Utilizes existing 60Hz 120V AC house wiring for "No New Wires" installation, when neutral wire is present in existing boxes.
- Utilizes Leviton's patented Intellisense™ technology for advanced signal/noise discrimination.
- Green LED's illuminate to indicate ON command sent or Scene "On" command detected.
- Green LED illuminates to indicate OFF command sent.
- Color change kits allow fast color changeovers. Devices ship in White only. See chart for Color Change Kits (must be purchased separately).
- May be used to control lights and loads remotely.
- Compatible with Decora screwless and Decora standard designer wallplates.



Cat. No. HXC7S-1TW

TYPICAL SPECIFICATION

The Seven-Scene dimming wall switch controller controls all Leviton scene-capable receivers via 120 KHz signals transmitted over 120VAC, 60Hz power lines. It features Leviton's Intellisense™ Technology (gated automatic gain control). It utilizes green LED's that illuminate to indicate ON command sent or scene "On" command detected. It is compatible with Decora screwless and standard designer wallplates. It has available color change kits in White, Ivory and Almond.

LEVITON SPECIFICATION SUBMITTAL

JOB NAME: <input type="text"/>	CATALOG NUMBERS: <input type="text"/>	
JOB NUMBER: <input type="text"/>	<input type="text"/>	<input type="text"/>

Product Specifications

HXC7S-1TW

STANDARDS COMPLIANCE

Meets all applicable standards:
 Standard and Extended X-10 Code Format (XTC798)
 UL Listed (File #E-66800)
 CSA Certified (File #LR-54628)
 UL 244A tested.

SPECIFICATIONS

Dimensions: 4.40" H x 1.76" W x 1.40" D
 Rating: 120VAC, 60Hz
 Power Consumption: 3W
 Output Frequency: 120KHz

INSTALLATION CONSIDERATION

- Cat. No. HCA02-10E coupler/repeater must be installed in every DHC installation to insure maximum signal strength.
- Maximum of 4 "transmit-capable" devices (controllers, programmers and 2-way receivers) should be installed on a single branch circuit.

COMMUNICATION

Transmit:

- SCENE ON – when any ON button is pressed, sends SCENE ON command for the associated scene to all units with addresses (House code & Unit code) within the 12-address sequence or "block" established by the controller/transmitters' base or "starting" address.
- SCENE OFF – when the OFF button is pressed, sends SCENE OFF command for the most recently selected scene to all units with addresses (House code & Unit code) within the 12-address sequence or "block" established by the controller/transmitters' Base or "starting" address.
- SCENE BRIGHT – when ▲ button is pressed, sends SCENE BRIGHT command for the most recently selected scene to all units with addresses (House code & Unit code) within the 12-address sequence or "block" established by the controller/transmitters' Base or "starting" address.
- SCENE DIM – when ▼ button is pressed, sends SCENE DIM command for the most recently selected scene to all units with addresses (House code & Unit code) within the 12-address sequence or "block" established by the controller/transmitters' Base or "starting" address.

Receives:

- SCENE ON/OFF commands from other Leviton scene controllers that are using the same scenes.

COLOR CHANGE KIT ORDERING INFORMATION

White DCK7S-0BW
 Almond DCK7S-0BA
 LABEL KIT
 Almond DCK7S 0CA

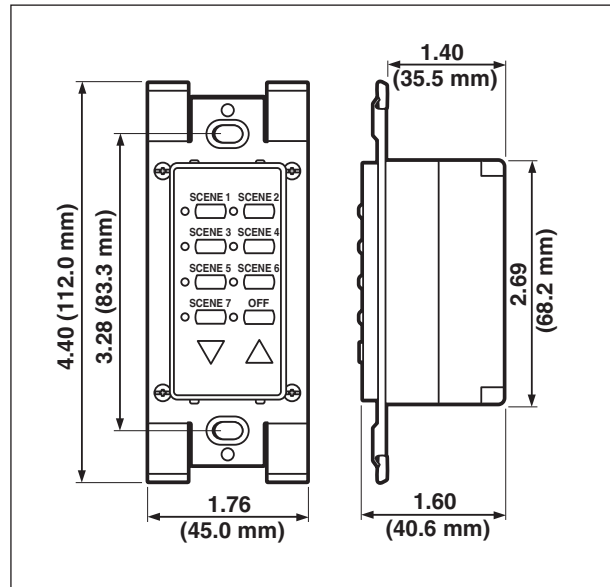
PROGRAMMING

Unit requires that a Base or "starting" address be set using a matrix of 8 buttons located behind the easily removed color change kit. This base address, both House Code and Unit Code, determines the range of address that the transmitter can control. In this case (HXC7S) the base address will establish the starting point of the 12 sequential addresses that the scene commands will be sent to. Default address is A1-A12

WARRANTY INFORMATION

Two year limited product warranty.

DIMENSIONAL DRAWING



LEVITON SPECIFICATION SUBMITTAL

JOB NAME: <input type="text"/>	CATALOG NUMBERS: <input type="text"/>
JOB NUMBER: <input type="text"/>	<input type="text"/>

Leviton Mfg. Co., Inc.
 59-25 Little Neck Pkwy • Little Neck, NY 11362-2591 • Tech Line: 1-800-824-3005 • Fax: 1-800-832-9538



B-1089/D5