

STOP! water damage caused by broken pipes, leaking or broken hoses from washing machines, ice makers, toilets, water heaters, etc.

The ELK-WSV is a Professional Grade, electrically operated water shutoff valve for both residential and commercial use. Used in conjunction with an automation controller, leak detection devices, or a simple manual pushbutton, the WSV can easily and conveniently shut off the main water supply to the building. Unlike competitors' units, the ELK-WSV is a stainless steel, 1" full bore, ball valve with commercial grade seats and seals. It is a "non-restricting" valve which meets the approvals of state and municipal water authorities. The motorized actuator has a permanently lubricated gear drive with sufficient torque to open or close the valve under high pressure or after long periods of inactivity. The ELK-WSV valve can be operated via a simple 12 Volt DC input from a security or automation controller such as the ELK-M1 Gold or M1EZ8. It can also be attached directly to a 12Vdc power source through a SPDT Emergency Pushbutton or "Easy" button for manual control. Operating time from fully open to fully closed is less than 4 seconds.



Features

- Rapid Action - Opening or Closing
- Provides Remote Shut off of Main Water Supply
- Integrates to Security or Automation Controller (e.g. Elk-M1 Gold or M1EZ8)
- Can be Integrated with a Simple "Easy" Button
- Can be Integrated with a Wireless Receiver and Wireless Pushbutton
- Simple 12 Vdc, Four (4) Conductor Hookup
- Valve Direction/Water Flow Indication

Specifications

Valve:

- Full Port, 2-way Ball Valve
- Stainless Steel Grade 316
- 1" NPT threaded pipe connections

Actuator:

- Operates from 12 Volts DC
- Min. Rec. Power Supply: 12 VDC, 1 Amp
- Current Draw: ~ 500 mA Nom, 1 Amp Peak
- Actuating Speed: < 4 seconds
- Torque: 1.25 in. lbs.
- Connections: 18 gauge, 4 conductor cord

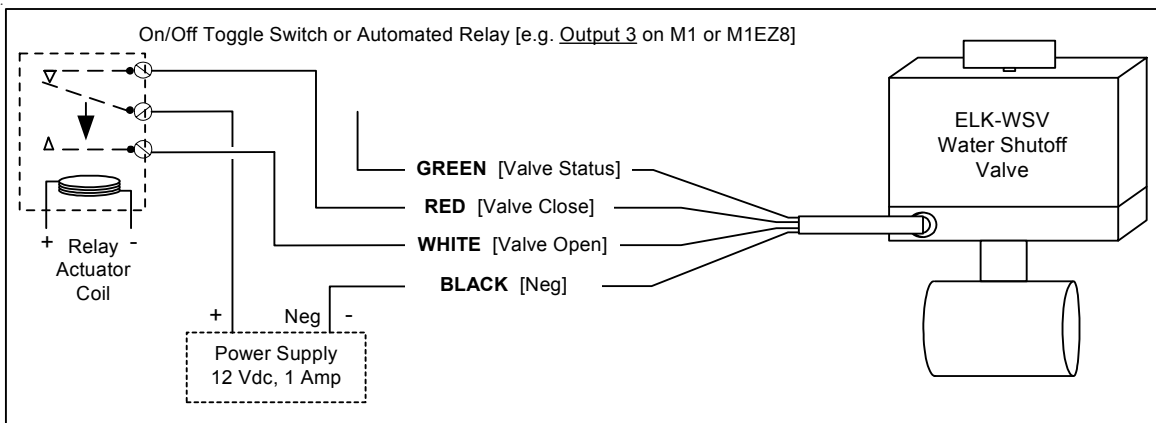
Overall Dimensions: 9" H, 5.75" W, 4" D

Installation

IMPORTANT NOTE: Observe all state and local regulations. Hire or consult an experienced or licensed plumbing professional if required. Valve is designed for INDOOR use ONLY! DO NOT INSTALL OUTDOORS! If the building has an internal manual water shutoff valve install the ELK-WSV after this (i.e. between the water fixtures and the manual valve) as an added benefit for maintenance or servicing. Do not remove the cover of the actuator unit. There are no user servicable components inside.

Make sure all necessary fittings and tools are available. Check the existing pipe material (plastic, copper, galvanized, etc), pipe diameter, and any special requirements that may be needed due to location of proposed mounting.

- Step 1. Manually shut off the main water supply at the water meter and outside valve.
- Step 2. Locate the building internal manual shut off valve (if present). This will generally be located very close to where the main water pipe enters the building. Turn this valve OFF just in case the outside valve fails to hold back the water supply.
- Step 3. Install the ELK-WSV into the main water line using appropriate fittings and materials.
- Step 4. Connect the 12 Vdc electric control device to the ELK-WSV as per the following diagram.



- Diagram shows a separate 12 Vdc, 1 Amp power supply. If the M1 or M1EZ8 Control is to be used for powering the ELK-WSV make sure to add the ELK-WSV current draw to the overall total to make sure the auxiliary power ratings are not exceeded.
- Install a four (4) conductor, 18 gauge minimum cable between the Valve and the control.
- Splice the four (4) wires (RED, BLACK, GREEN, WHITE) coming from the Valve to the four (4) conductors that go to the control. Use Gel filled "B" connector splicers and/or a junction box to protect the integrity of the splices.

Connecting the ELK-WSV Valve to Relay Output 3 on the ELK-M1 Gold or M1EZ8 Security/Automation Controls.

RED wire - Connect to N/C (normally closed) terminal of Relay Output 3. Energizing this with 12 Vdc will Close the valve.

WHITE wire - Connect to N/O (normally open) terminal of Relay Output 3. Energizing this with 12 Vdc will Open the valve.

BLACK wire - Connect to any NEG (-) terminal of the Power Supply.

GREEN wire - This is the Valve status indicator. When the Valve is Closed this wire will produce a POS (+) 12 Vdc output which can then be used to drive an indicator or input if needed. This wire **MUST** be insulated at the end to prevent accidental contact with other components if the status is not used.

