



Model 28A00-2 Flush Speaker/Microphone Module

DESCRIPTION

The Model 28A00-2 is a speaker and microphone assembly that is designed to mount in a double gang electrical box or flush to a wall. It allows two-way communication with a central station after an alarm, paging and listening from an on-premises or remote phone, announcement of alarm and zone by voice, and voice messaging *. It may be used outdoors in weather protected areas such as overhangs, eaves, etc.

*Voice messaging not available on all systems

INSTALLATION

1. Using supplied template, drill 4 holes in drywall (at locations marked "X") and insert wall anchors.
2. Using the template, cut out 3.25 inch diameter hole in drywall (solid black circle) to ensure component clearance.
3. Using a screwdriver with a small blade, remove the screw that holds the grille to the speaker/microphone assembly.
4. Place the screwdriver in the slots (top and bottom on the rear of the speaker/microphone assembly) to remove the speaker grille.
5. Connect the wire from the Speaker (Output) on the Two-Way Voice Module to the (+) terminal on the speaker.
6. Connect the wire from the Speaker (Common) on the Two-Way Voice Module to the (-) terminal on the speaker.
7. Route the microphone wires from the Two-Way Voice Module through the hole in the speaker/microphone assembly marked "A" in Figure 2.
8. Line up mounting holes marked "B" in Figure 2 with wall anchors (from step 1). Secure speaker/microphone assembly to wall using the provided screws.
9. Connect the wire from the Microphone (+) on the Two-Way Voice Module to the Red microphone wire.
10. Connect the wire from the Microphone (Common) on the Two-Way Voice Module to the Black microphone wire.

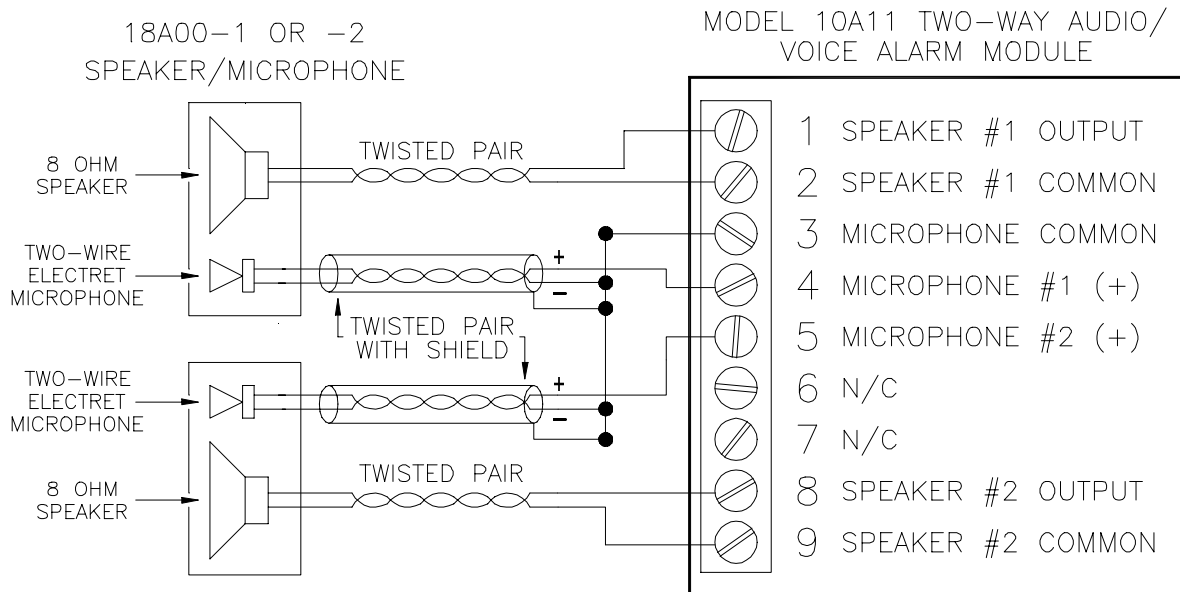


Figure 1 - Speaker/Microphone Connections

Microphones should be connected with 24 AWG or larger, shielded twisted pair wire. Wire length should not exceed 100 feet. Connect the cable shields and negative wires together at the Model 10A11 terminal block only. **Do not connect the shield on the microphone end.** Additional microphones can be connected to each input in parallel.

Speakers should be connected with 18 AWG or larger, twisted pair wire. For wire runs that exceed 50 feet, use 16 AWG wire or larger. Wire length should not exceed 100 feet. Additional speakers can be connected to each output in series.

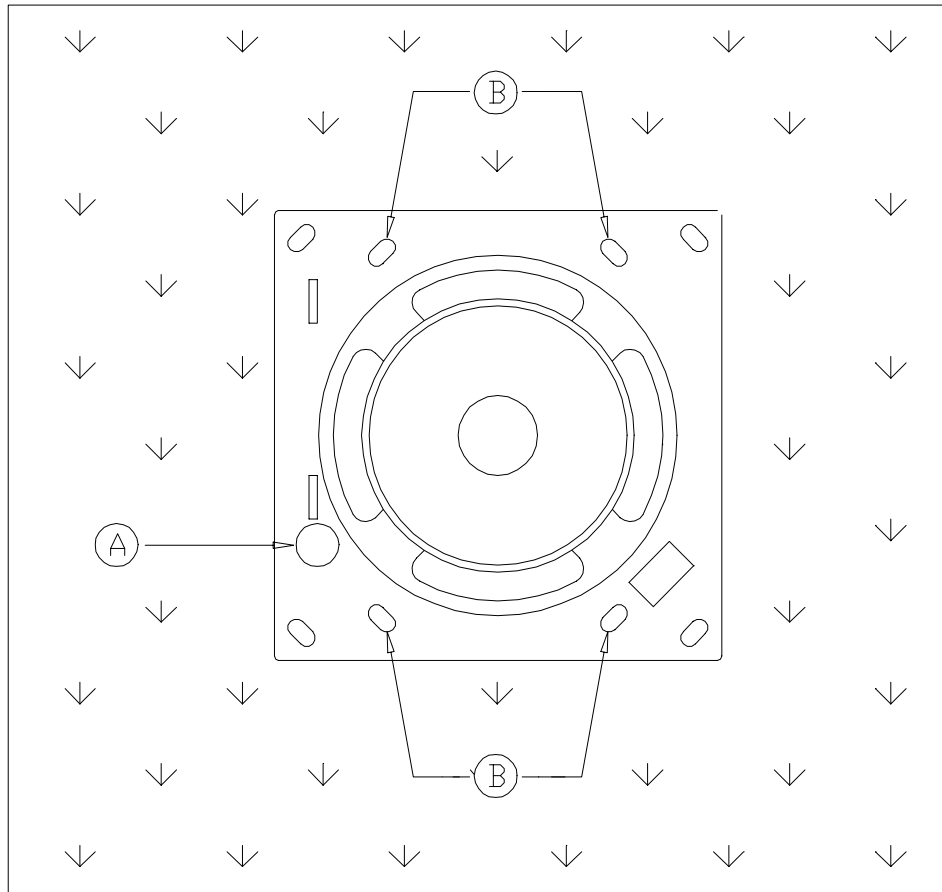


Figure 2 - Mounting the Speaker/Microphone Assembly

11. Snap the grill back onto the speaker/microphone assembly and replace screw (from step 3) to secure.

SPECIFICATIONS

Speaker Type:	Polypropylene Weather Resistant
Voice Coil:	8 Ohms
Power Rating:	15 Watts
Microphone:	Electret Condenser, Omni-Directional
Housing Material:	UL-94 Flame Retardant Plastic
Color:	Decorator White
Dimensions:	4 1/2" H x 4 1/2" W x 1 1/2" D (Protrudes only 1/2" when flush mounted)
Hardware:	8 Mounting Screws and 4 Wall Anchors