

ENFORCER[®]

Audio/Video

MANUAL

MVE-AH010Q

HDMI Over Cat5/6



SLI[®]
SECO-LARM[®]



NOTE: Products with a model number that ends with "Q" or have a round green "Q" sticker represent RoHS compliant

Introduction:

The HDMI over Cat5/6 extends the range of traditional HDMI cabling methods up to 196' (60m). The HDMI over Cat5/6 uses an active transmitter to send video and audio over Cat5/6 cables in HDMI formats as large as 1080p. The HDMI signal that is transmitted between the two units has zero-signal loss by using integrated circuits located in the receiver and transmitter.

Features:

- **Flexibility** – Traditional HDMI cables present a number of challenges in long cable runs. HDMI cables are rigid in structure and fixed in length making them very difficult to use in some applications. By using Cat5/6 to transmit HDMI signals, the length and route the wiring takes can now be determined on an application by application basis.
- **Signal Strength** – Traditional HDMI cables have limitations on the signal strength they can provide over long distances. Using an active transmitter, the HDMI over Cat5/6 overcomes these limitations by providing a clearer signal farther than HDMI cable alone.
- **Distance** – The HDMI over Cat5/6 is capable of providing a clear HDMI signal over much greater distances than HDMI cable alone. Using Cat6, a 1080p HDMI signal can be transmitted clearly up to 196' (60 m).
- **Formats Supported** – The HDMI over Cat5/6 supports both progressive and interlaced formats: 1080p/1080i/720p/576p/576i/480p/480i.
- **Plug and Play** – The HDMI over Cat5/6 comes as complete set consisting of a transmitter and receiver. No adjustments or settings must be made, the unit is ready to use right out of the box.
- **Zero Signal Loss** – Integrated circuits in the transmitter and receiver clean, buffer and amplify the HDMI signal to prevent signal loss and ensure a clear signal regardless of the length of the cable.
- **DVI Support** – The HDMI over Cat5/6 can be used with an HDMI to DVI adapter to support multiple components of a home theater system.

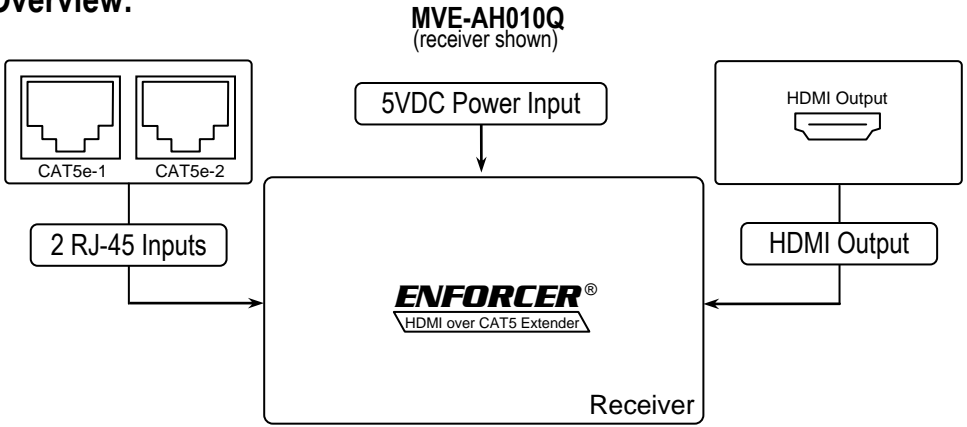
Specifications:

Input video signal	0.5-1V p-p
Input DDC signal	5 V p-p (TTL)
Maximum single link range	1920 x 1200, 1080p
Output video	HDMI 1.2a
Video format supported	1080p/1080i/720p/576p/576i/480p/480i
Max range (1080p)	196' (60m)
Max range (1080i)	230' (70m)
Max range (480p)	328' (100 m)
Size	3 ¹ / ₈ x 1 ³ / ₄ x 7 ⁷ / ₈ " (79 x 44 x 22 mm)
Weight	8.7 oz (246 g)
Power Consumption	400mA @ 5VDC
Operating temperature	32°~158° F (0°~70° C)
External power supply	5VDC@2A (adapter included)

Parts list:

MVE-AH010Q transmitter	x 1
MVE-AH010Q receiver	x 1
5VDC power adapter	x 1

Overview:

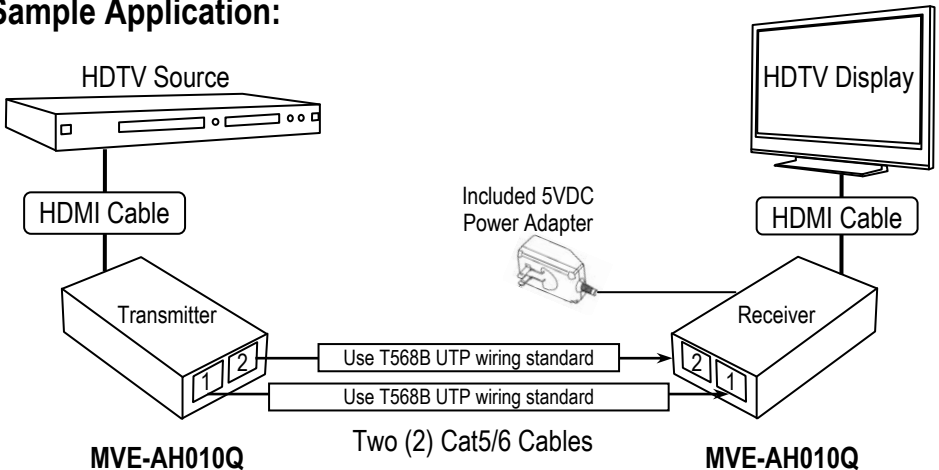


Two (2) Cat5/6 cables are required. Please use T568B wiring standard.

Installation:

1. Determine the location of where the HDMI to Cat5 units will be wired as well as how much Cat5/6 cable will be necessary.
2. Plug the transmitter into the HDMI port on the device you are the HDMI range of.
3. Connect the Cat5/6 cables to both the receiver and transmitter units. Make sure and connect the cables to their respective ports, port 1 connected to port 1, and port 2 connected to port 2.
NOTE: Cat5 cable will greatly extend the range of traditional HDMI cables. For maximum range please use Cat6e cable.
4. Plug the receiver unit in to the HDMI out device you wish to use.
5. Plug the 5VDC adapter to the transmitter unit.
6. Turn the power on the HDMI input and output devices to test the functionality of the HDMI over Cat5.

Sample Application:



Troubleshooting

HDMI device does not function correctly

- Make sure the Cat5/6 cables are connected to the correct port, and not on opposite ports
- Make sure the HDMI input device is turned on.
- Make sure the HDMI output device is turned on.
- Test the Cat5/6 cable between the receiver and transmitter to make sure it is operational.

Products Available from SECO-LARM:



USB over Cat5/6



VGA over Cat5/6



HDMI Repeater



HDMI Cable



Audio Baluns



HDMI Switcher

WARRANTY This SECO-LARM product is warranted against defects in material and workmanship while used in normal service for a period of one (1) year from the date of sale to the original consumer customer. SECO-LARM's obligation is limited to the repair or replacement of any defective part if the unit is returned, transportation prepaid, to SECO-LARM. This Warranty is void if damage is caused by or attributed to acts of God, physical or electrical misuse or abuse, neglect, repair, or alteration, improper or abnormal usage, or faulty installation, or if for any other reason SECO-LARM determines that such equipment is not operating properly as a result of causes other than defects in material and workmanship. The sole obligation of SECO-LARM, and the purchaser's exclusive remedy, shall be limited to replacement or repair only, at SECO-LARM's option. In no event shall SECO-LARM be liable for any special, collateral, incidental, or consequential personal or property damages of any kind to the purchaser or anyone else.

NOTICE: The information and specifications printed in this manual are current at the time of publication. However, the SECO-LARM policy is one of continual development and improvement. For this reason, SECO-LARM reserves the right to change specifications without notice. SECO-LARM is also not responsible for misprints or typographical errors. Copyright © 2008 SECO-LARM U.S.A., Inc. All rights reserved. This material may not be reproduced or copied, in whole or in part, without the written permission of SECO-LARM.

SECO-LARM® U.S.A., Inc.

16842 Millikan Avenue, Irvine, CA 92606
Tel: 800-662-0800 / 949-261-2999 Fax: 949-261-7326

Website: www.seco-larm.com
E-mail: sales@seco-larm.com

PICC3
mi-MVE-AH010Q.docx