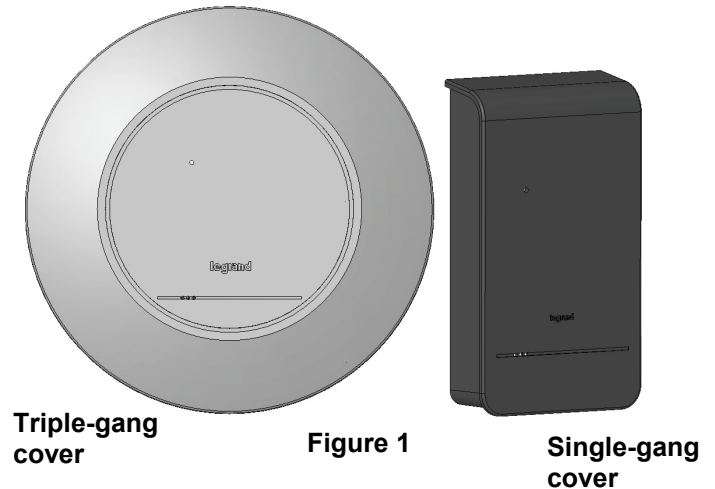


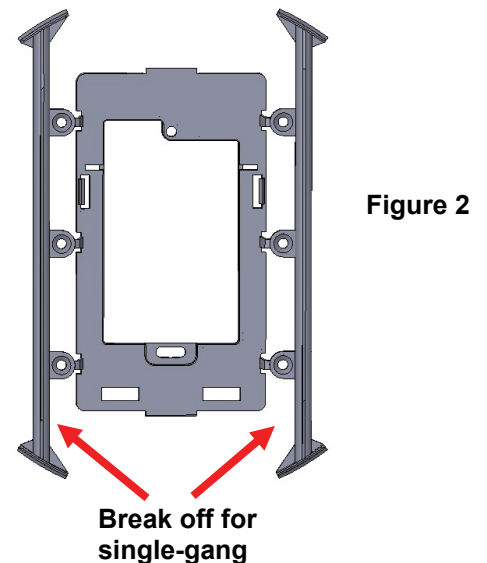
1. Introduction

The Legrand DA1101 Wireless Access Point – N (see **Figure 1**) is the latest offering for residential WiFi support from Legrand. It supports the older 802.11 B/G standards, and the newer “N” standard. The DA1101 is supplied with mounting hardware for two different installation methods. It may be mounted in a three-gang electrical box using the round cover, or in a single-gang electrical box using the small rectangular cover. As such, it is suitable as a replacement or upgrade product for existing Legrand 802.11 B/G WAPs, or for new construction in a much smaller form factor. This installation/instruction sheet covers only the physical installation requirements. For additional information related to software configuration and operation, refer to the DA1101 Owner’s Manual (P/N 1308137) supplied with the product.



2. Description

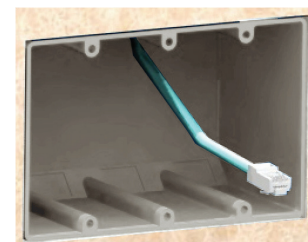
- Provides one triple-gang installation bracket assembly and associated round cover for mounting the DA1101 in an existing triple-gang electrical box. This installation option is typically used for replacement/upgrade of an existing Legrand 802.11 B/G WAP product.
- The supplied triple-gang installation bracket may be easily modified into a single-gang installation bracket assembly for use with the supplied smaller rectangular cover for mounting the DA1101 in a new construction single-gang electrical box (see **Figure 2**).
- Provides the DA1101 802.11 N Wireless Access Product which snaps into the supplied mounting bracket.
- Provides the POE module and associated single bay bracket which is housed in the structured wiring enclosure, and which provides both power for the DA1101 product and data interface between the DA1101 and its associated router, both over a single Cat 5 connection to the mounting location.



3. Installation

IMPORTANT: Read the documentation that is included with all associated Legrand products before installation. If you are unsure of any of the following installation procedures contact Legrand Technical Support @ 1-800-321-2343 option 1 or contact a Legrand installer.

- Run a Category 5 cable from the triple-gang (see **Figure 3**) or single-gang electrical box at the intended DA1101 room location to the POE module located in the structured wiring enclosure.
- Make sure that the Power Supply is not connected to the POE module at this time.



- C. Pull the Category 5 cable out from the electrical box through the supplied triple-gang or modified into a single-gang bracket and attach the bracket to the associated electrical box with the supplied screws.
- D. Terminate the Cat 5 cable with an RJ45 plug and connect it to the RJ45 jack on the DA1101. The DA1101 is then snapped into the mounting bracket by first inserting the two tabs on one end into the slots on the bracket and tilting it until it is flush with the bracket, where it should snap into place (see **Figure 4**).
- E. If this is a triple-gang installation, line the feet on the triple gang bracket up with the indentions inside the round cover, and snap that cover in place (see **Figure 4**). There is a protrusion inside the round cover that allows it only to be installed in the correct orientation. If this is a single-gang installation, simply hang the top of the rectangular cover on the single-gang bracket and tilt the cover to snap it into place.
- F. In the enclosure, terminate the other end of the Cat 5 cable from the DA1101 with an RJ45 plug and connect it to the POE output RJ45 jack. A Cat 5 jumper is run from the POE input jack to a local router port.
- G. Plug the power supply into the POE module and into an AC outlet, and refer to the supplied manual (P/N 1308137) for software configuration and operation information.

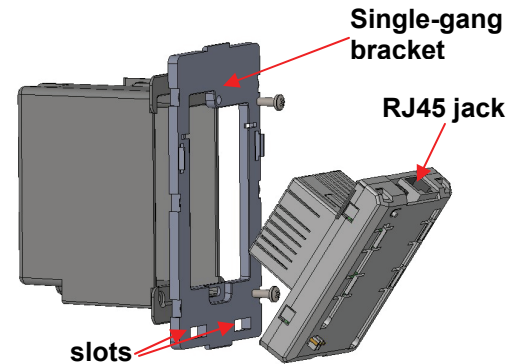


Figure 4

