

# LevNet RF Wireless Self-Powered Solutions Plug-In Receivers



**Wireless self-powered technology means no new wiring is required.** Leviton LevNet RF Wireless Self-Powered Solutions are easy to install and maintenance-free, saving ongoing labor and material costs while saving energy.

EnOcean® technology allows energy harvesting LevNet RF Transmitters to operate indefinitely without the use of batteries. The motion of a switch actuation, light on a solar cell, or temperature differentials in the environment provide power to LevNet RF Transmitters, allowing zero-maintenance wireless devices. The LevNet RF line includes multiple products that operate in the uncrowded 315MHz band offering greater transmission range (50-150 feet) than other wireless technologies and minimal competitive traffic.



**LevNet RF Plug-In Receivers** receive signals from LevNet RF Sensors, Switches, and Transmitters to control lighting, thermostats, and other devices or loads. Wireless, self-powered technologies make them the ideal solution for retrofits and new construction; installation is quick and easy with no additional wiring required. It takes only minutes to install and configure.

## APPLICATIONS

- Retrofits
- New construction
- Conference rooms
- Classrooms
- Lounges/Lobbies
- Private offices
- Executive offices
- Restrooms
- Daycare facilities
- Multimedia areas

## PLUG-IN DIMMER/RELAY RECEIVER (WSGoS-D1T)

The Plug-in Dimmer Receiver provides dimming control of lamps and other devices. Simply plug a lamp into the Dimming Receiver, and then plug the Dimming Receiver into a standard electrical outlet. The lamp may then be controlled using Wireless Self-Powered Switches or Sensors.



## PLUG-IN ON/OFF RELAY RECEIVER (WSGoS-S1T)

The LevNet RF Plug-In ON/OFF Relay Receiver responds to compatible LevNet RF Switches and Transmitters to provide ON/OFF control of lights, TVs, and other plug-in devices. The Plug-In ON/OFF Receiver may optionally be used to control electrical loads using signals from Sensors.



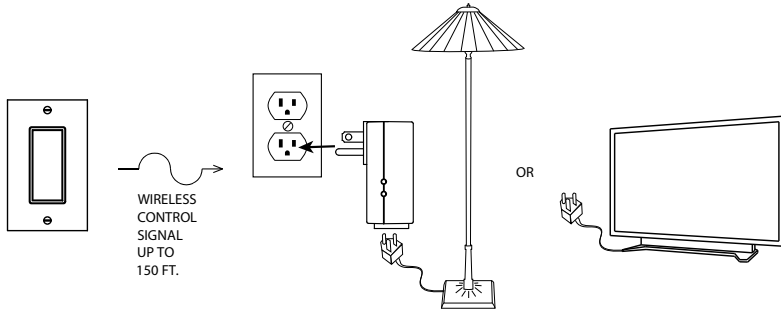
## FEATURES

- **Easy-to-use:** fast installation - plugs into any 120V outlet; run zero switch-leg wires; DIM (WSGoS-D1T only) or ON/OFF (WSGoS-S1T only) control of lights
- **Ultra smooth wireless light dimming:** dimming for architectural lighting, daylighting, load shedding, and manual-ON/OFF and auto-OFF controls (WSGoS-D1T only)
- **Reliable range:** compatible with all LevNet RF Switches; error checking ensures response only to appropriate Switches; a single Transmitter can control unlimited Dimmers (WSGoS-D1T only) or ON/OFF Relay Receivers (WSGoS-S1T) within range
- **Simple wireless control systems:** architectural lighting, daylighting, load shedding, and manual-ON/OFF and auto-OFF control of lights, TVs, and other plug-in devices
- **Control the way you want it:** control the LevNet RF Relay Receiver with a variety of devices - Wireless Self-Powered Switches, Sensors, and more

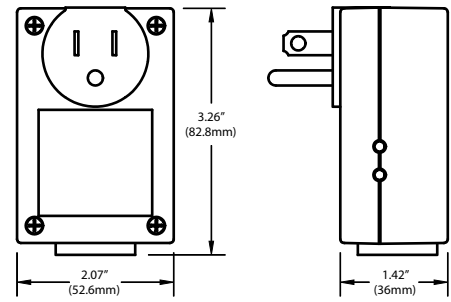
## PRODUCT DATA



## NETWORK DIAGRAM



## DIMENSIONS



Plug-In Receivers

## SPECIFICATIONS

LEVNET RF PLUG-IN RECEIVERS	
Range	50-150 feet
Frequency	315MHz
Memory	Stores up to 30 unique Transmitter IDs
Operating Temperature	WSGoS-D1T: -13°F to +122°F (-25°C to +50°C) • WSGoS-S1T: -13°F to +140°F (-25°C to +60°C)
Storage Temperature	-40°F to +140°F (-40°C to +60°C)
Dimensions	3.26" H x 2.07" W x 1.42" D (82mm x 53mm x 36mm)
Weight	3.75oz. (106.31g)
Safety Approval	ETL (U.S.): UL244A (pending) ETL (Canada): CSAc22.2#156 (pending)
Radio Certification	FCC Certified for Wireless Communication (U.S.), I.C. Certified (Canada)
PLUG-IN DIMMER/RELAY RECEIVER (WSGoS-D1T)	
PLUG-IN RELAY RECEIVER (WSGoS-S1T)	
Power Supply Input	120VAC, 60Hz
Dimmer Output (WSGoS-D1T)	120VAC, 300W max (resistive) Incandescent or other dimmable loads only - no motor loads
Output Channels (WSGoS-D1T)	1 dimming or ON/OFF output
Output Rating (WSGoS-S1T)	
General	6A
Ballast	3A
Tungsten	500W
Motor	No motor loads

## ORDERING INFORMATION

CAT. NO.	DESCRIPTION
WSGoS-D1T	Plug-In Dimmer Receiver, 120VAC, 300W
WSGoS-S1T	Plug-In ON/OFF Relay Receiver, 120VAC, 500W

## LEVITON SPECIFICATION SUBMITTAL

JOB NAME:	CATALOG NUMBERS:
JOB NUMBER:	

### Leviton Manufacturing Co., Inc. Lighting Management Systems

20497 SW Teton Avenue, Tualatin, OR 97062

Telephone: 1-800-736-6682 • FAX: 503-404-5594 • Tech Line (6:00AM-4:00PM P.S.T. Monday-Friday): 1-800-959-6004

### Leviton Manufacturing of Canada, Ltd.

165 Hymus Boulevard, Pointe Claire, Quebec H9R 1E9 • Telephone: 1-800-469-7890 • FAX: 1-800-563-1853

### Leviton S. de R.L. de C.V.

Lago Tana 43, Mexico DF, Mexico CP 11290 • Tel. (+52) 55-5082-1040 • FAX: (+52) 5386-1797 • www.leviton.com.mx

Visit our Website at: [www.leviton.com/lms](http://www.leviton.com/lms)

© 2009 Leviton Manufacturing Co., Inc. All rights reserved. Subject to change without notice.

G-8220/Gg-ak