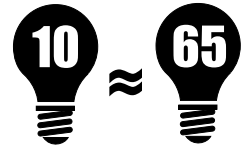


# LED R30 / 65BR30 / PAR30 Dimmable Series



Stock No.	Product Description
LED-1666	R30-120-10-7-SW (Soft White)
LED-1667	R30-120-10-7-DL (Daylight)

**Description:**

Fully encapsulated, 120 Volt, 10 Watt, screw-in medium base mounting that integrates energy saving LED technology into a standard R30 / 65BR30 / PAR30 format. Available in Soft White (SW) or Daylight (DL).

- Medium screw in base.
- 10 Watt, 120 Volt operation. Remote transformer not required. Operates off of standard house current.
- Soft White SW (3000K)
- Daylight DL (6000K)
- Compare to 65W R30/65BR30/PAR30 light output.
- 7 on-board Hi Power CREE LED diodes
- Up to 50,000 hour lamp life.
- Very low heat output.
- Dimmable\*
- 5 year warranty
- LM79/Lighting Facts

**Applications:**

The R30 / 65BR30 / PAR30 10W lamp has been designed to retrofit existing R30 / 65BR30 / PAR30 installations, thereby reducing maintenance and energy expenditures - and as an energy saving light source for new fixtures and installations.

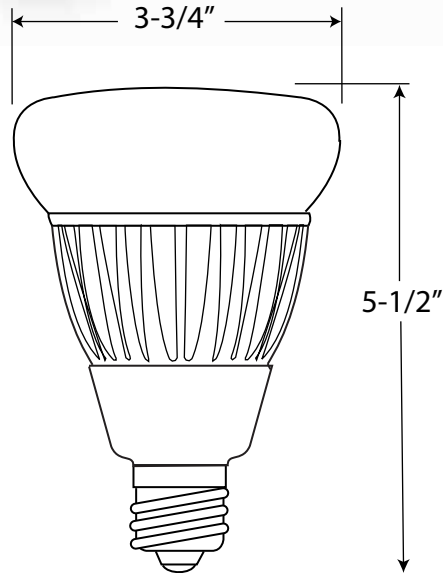
- Retail display applications
- Task lighting
- Recessed downlighting
- Residential lighting

**\*Dimming:**

Contact sales@led-llc.com for a full list of compatible incandescent dimmers.

**Packaging:**

Master pack: 50 lamps



**Technical Specifications:**

Bulb Type:	R30/65BR30/PAR30	Base Type:	Medium E26
Bulb Material:	Glass	Replaces:	65W
Lumens:	425SW / 550DL	Life Time:	Up to 50,000 Hrs.
Input Voltage:	AC120V/60Hz	Output Power:	10W
Dimensions:	5-1/2"x3-3/4"	Beam Angle:	120°
Light Source:	7pc CREE LED	Color:	(SW) est. 3000K (DL) est. 6000K
Dimmable:	Yes		
CRI:	80	Lumens / Watt:	45 SW / 55 DL

Note: All specification information falls within a ± 2% range

NOTE: Light Emitting Designs is providing this information to the general public. Please note that all products contained herein are trademarked, copyrighted, and/or have patents pending. Any use of these designs is strictly prohibited without prior written consent. Light Emitting Designs protects its proprietary information vigorously in the courts of the United States of America.

108 S. Wynstone Park Drive • Suite 103 • N. Barrington, IL 60010 • (847) 380-3540  
 FAX: (847) 380-3542 www.led-llc.com Specs subject to change without notice. 122209\_LED1666

**JOIN THE RETROFIT REVOLUTION™**



**Light Emitting Designs**  
 Environmental Lighting Solutions  
a division of TADD, LLC