

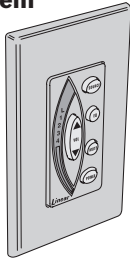


Multi-Room Audio Distribution System

ENC-DRS

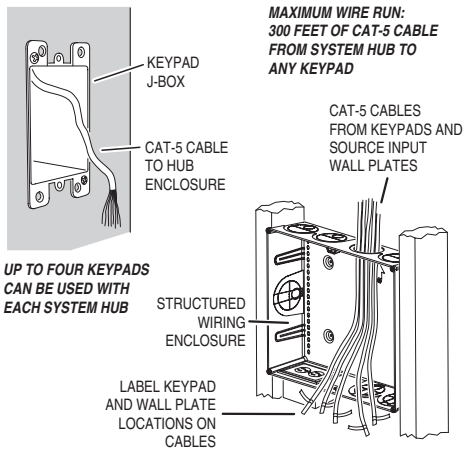
Keypad

Installation Instructions

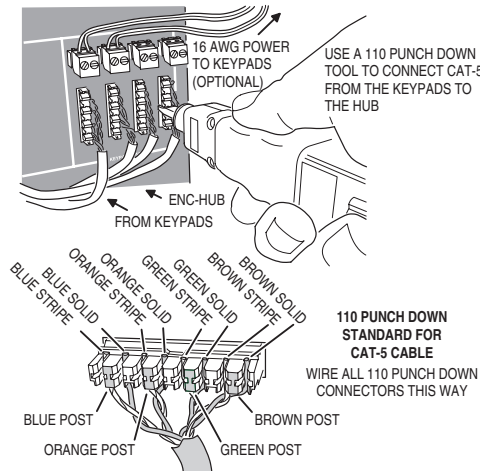


USA & Canada (800) 421-1587 & (800) 392-0123
 (760) 438-7000 · Toll Free FAX (800) 468-1340
 www.linearcorp.com

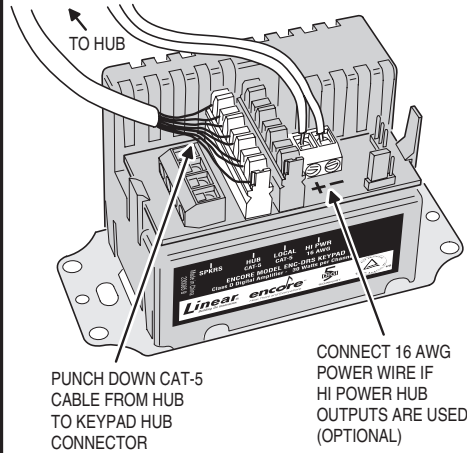
4. ROUTE CAT-5 CABLE FOR KEYPAD



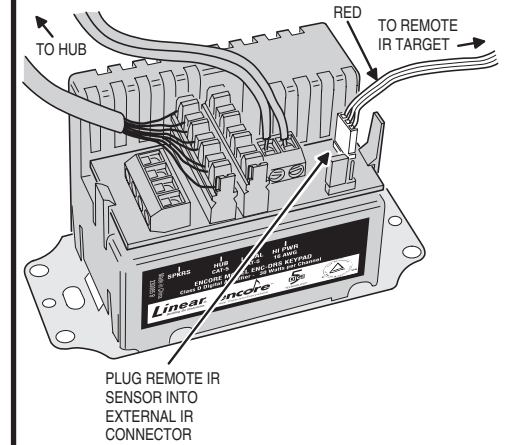
5. PUNCH DOWN CABLE AT HUB



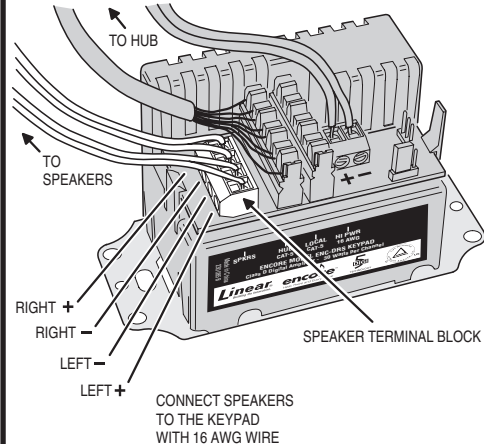
6. CONNECT CABLE TO KEYPAD



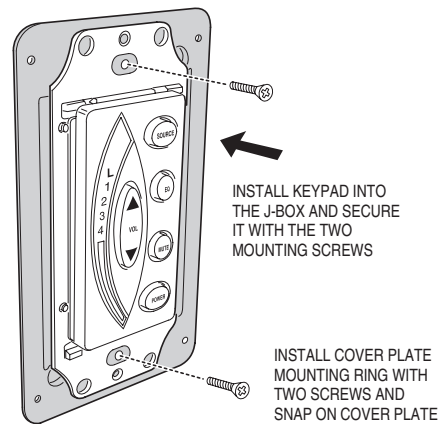
7. EXTERNAL IR TARGET (OPTIONAL)



8. CONNECT SPEAKERS TO KEYPAD



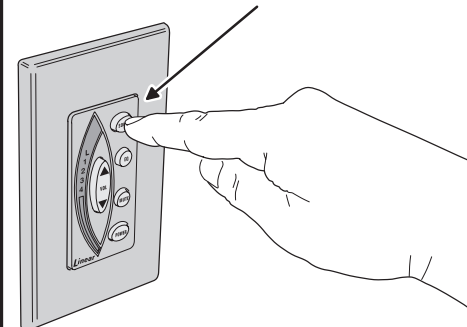
9. INSTALL WALL PLATE



10. POWER UP AND TEST

AFTER THE INSTALLATION IS COMPLETE, APPLY POWER TO THE SYSTEM AND PLAY AUDIO FROM ALL CONNECTED AUDIO SOURCE COMPONENTS

VERIFY THAT SOUND IS HEARD AS EACH ACTIVE SOURCE IS SELECTED FROM EACH KEYPAD



1. PRODUCT DESCRIPTION

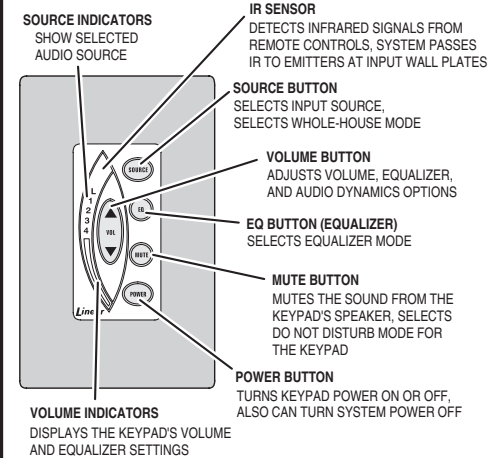
The Encore keypad (Model ENC-DRS) serves as a speaker zone controller for the Encore Multi-Room Audio Distribution System. Up to four keypads can be connected to each hub. Each keypad in the system selects its speaker zone's audio source, controls the volume, tone, balance, loudness, and all other functions of the system. The keypad contains a Class D digital stereo amplifier with 60 watts maximum output power (30 watts per channel) and is designed to connect to a pair of 6 or 8-ohm speakers.

The keypad connects to the hub with Cat-5 cable and mounts in a single-gang J-box. For maximum output installations, four independent high current power supply outputs are provided on the hub for supplying dedicated power to the keypads through 2-conductor 16 gauge wire.

At each speaker zone, the keypad selects between the four primary hub audio sources from source input wall plates (Model ENC-SIWP), or from its local audio source connected to a local input wall plate (Model ENC-LIWP).

The system features IR remote control. An infrared repeater system monitors the infrared receivers at each keypad and repeats the infrared remote control signals to the audio source components through infrared emitters connected to the wall plates. IR emitters are sold in a 4-pack as Model 2171-4.

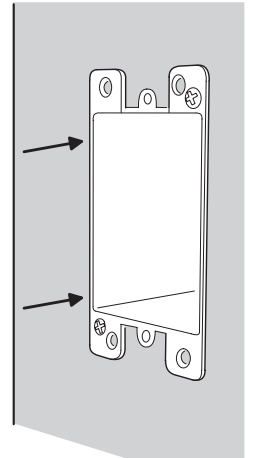
2. KEYPAD FEATURES



3. INSTALL JUNCTION BOX

INSTALL A SINGLE-GANG JUNCTION BOX 56" TO 60" ABOVE THE FLOOR FOR THE KEYPAD

BE SURE THAT THE KEYPAD IS NOT MOUNTED IN THE SAME JUNCTION BOX WITH 120 VAC WIRING



LIMITED WARRANTY

This Linear product is warranted against defects in material and workmanship for twenty four (24) months. **This warranty extends only to wholesale customers** who buy direct from Linear or through Linear's normal distribution channels. **Linear does not warrant this product to consumers.** Consumers should inquire from their selling dealer as to the nature of the dealer's warranty, if any. **There are no obligations or liabilities on the part of Linear LLC for consequential damages arising out of or in connection with use or performance of this product or other indirect damages with respect to loss of property, revenue, or profit, or cost of removal, installation, or reinstatement.** All implied warranties, including implied warranties for merchantability and implied warranties for fitness, are valid only until the warranty expires. **This Linear LLC Warranty is in lieu of all other warranties express or implied.**

All products returned for warranty service require a Return Product Authorization Number (RPA#). Contact Linear Technical Service at 1-800-421-1587 for an RPA# and other important details.